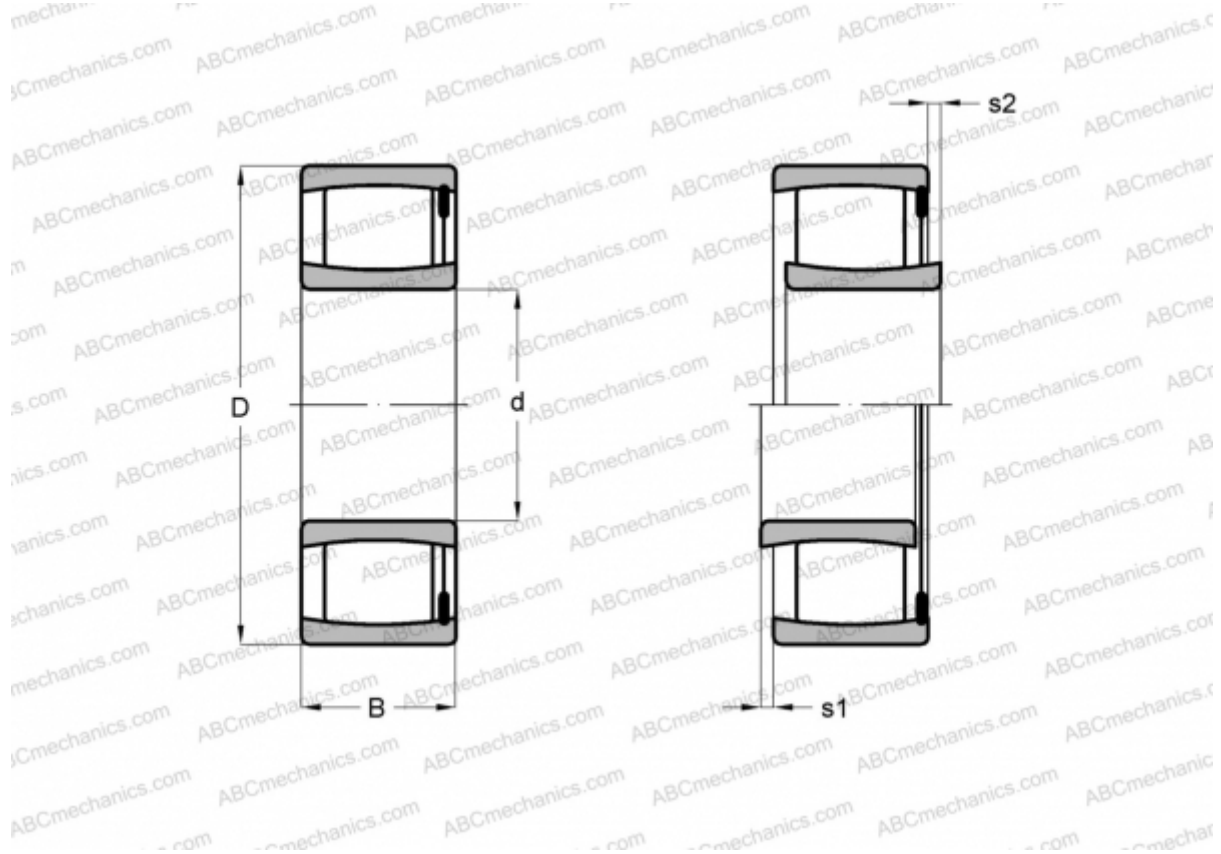


## C 4134 V SKF

CARB toroidal roller bearings

TYPE: Roller bearings, Toroidal CARB, Full complement, cylindrical bore



### Technical specification

#### DIMENSIONS, MM

d	170,000
D	280,000
B	109,000

**WEIGHT, KG** 27,000

**MANUFACTURER** [SKF](#)

#### CALCULATION DATA

Basic dynamic load rating, C	1530,000 kN
Basic static load rating, Co	2280,000 kN
Fatigue load limit, Pu	208,000 kN
Limiting speed	280 r/min