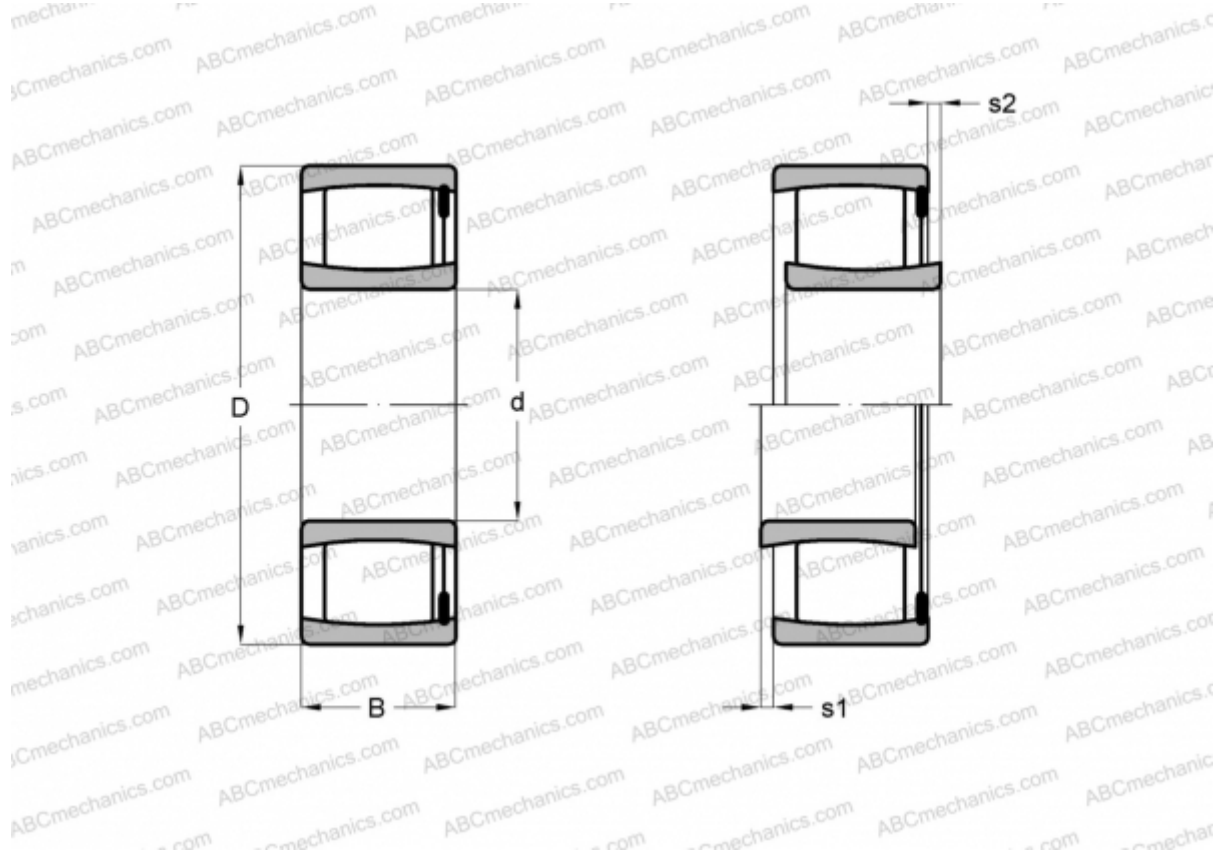


C 4138 V SKF

CARB toroidal roller bearings

TYPE: Roller bearings, Toroidal CARB, Full complement, cylindrical bore



Technical specification

DIMENSIONS, MM

d	190,000
D	320,000
B	128,000

WEIGHT, KG 43,000

MANUFACTURER [SKF](#)

CALCULATION DATA

Basic dynamic load rating, C	2040,000 kN
Basic static load rating, Co	3150,000 kN
Fatigue load limit, Pu	275,000 kN
Limiting speed	130 r/min