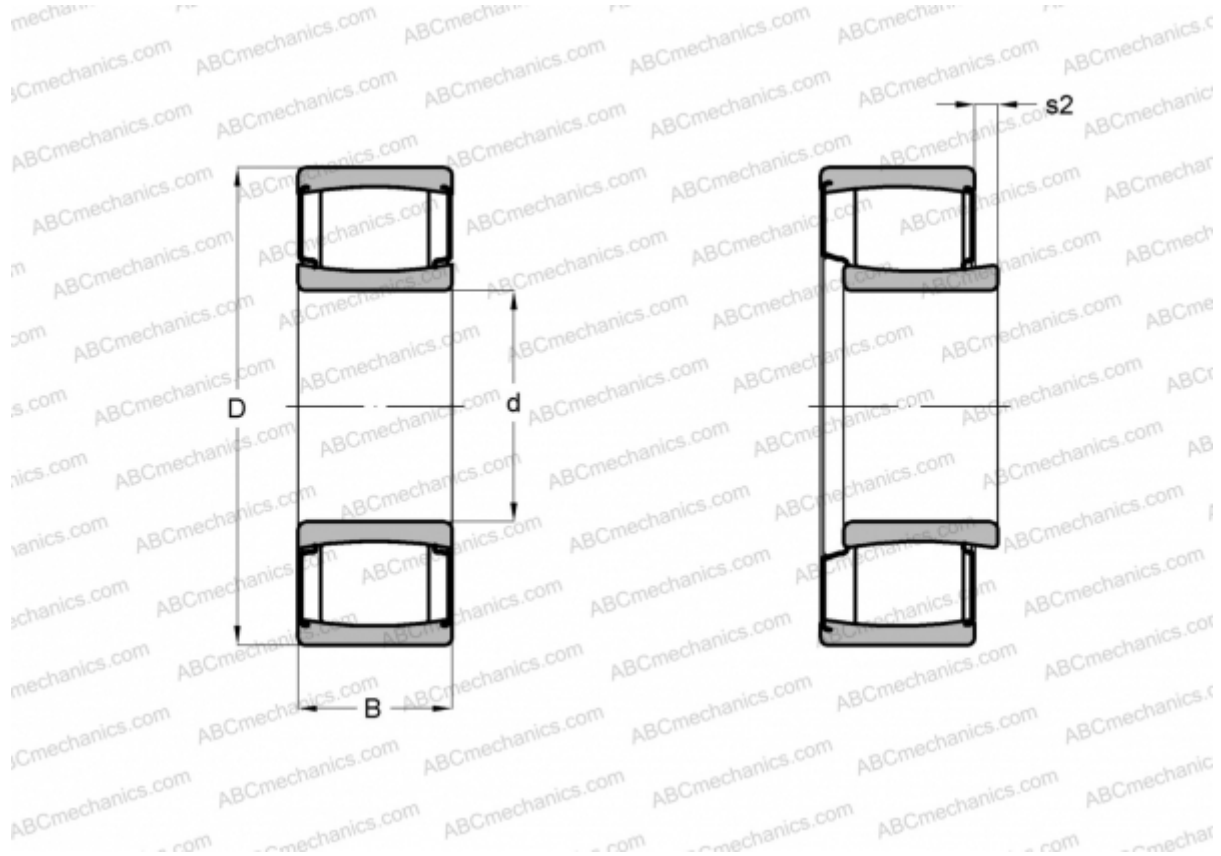


C 6912-2CS5V SKF

CARB toroidal roller bearings

TYPE: Roller bearings, Toroidal CARB, Full complement, seals



Technical specification

DIMENSIONS, MM

d	60,000
D	85,000
B	45,000

MANUFACTURER

[SKF](#)

CALCULATION DATA

Basic dynamic load rating, C	150,000 kN
Basic static load rating, Co	240,000 kN
Fatigue load limit, Pu	26,500 kN
Limiting speed	170 r/min