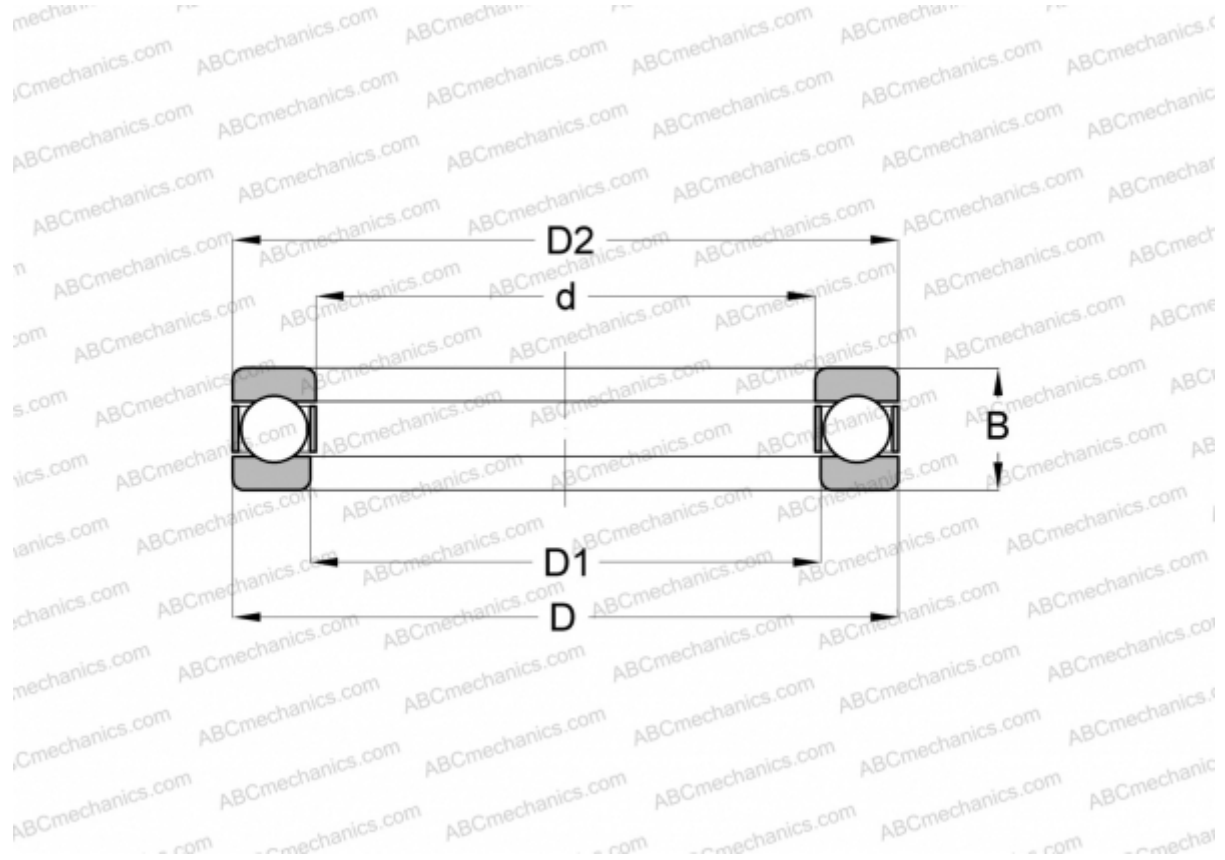


51101 RHP

Thrust ball bearings

TYPE: Ball bearings, Thrust ball bearing, Single direction, Separable



Technical specification

DIMENSIONS, MM

d	12,000
D	26,000
D1	13,000
D2	26,000
B	9,000

WEIGHT, KG 0,023

MANUFACTURER [RHP](#)

INTERCHANGE

ABC	51101
FAG	51101
RIV	ELP 12
SKF	51101
SNR	51101

INTERCHANGE

STEYR	51101
-------	-----------------------