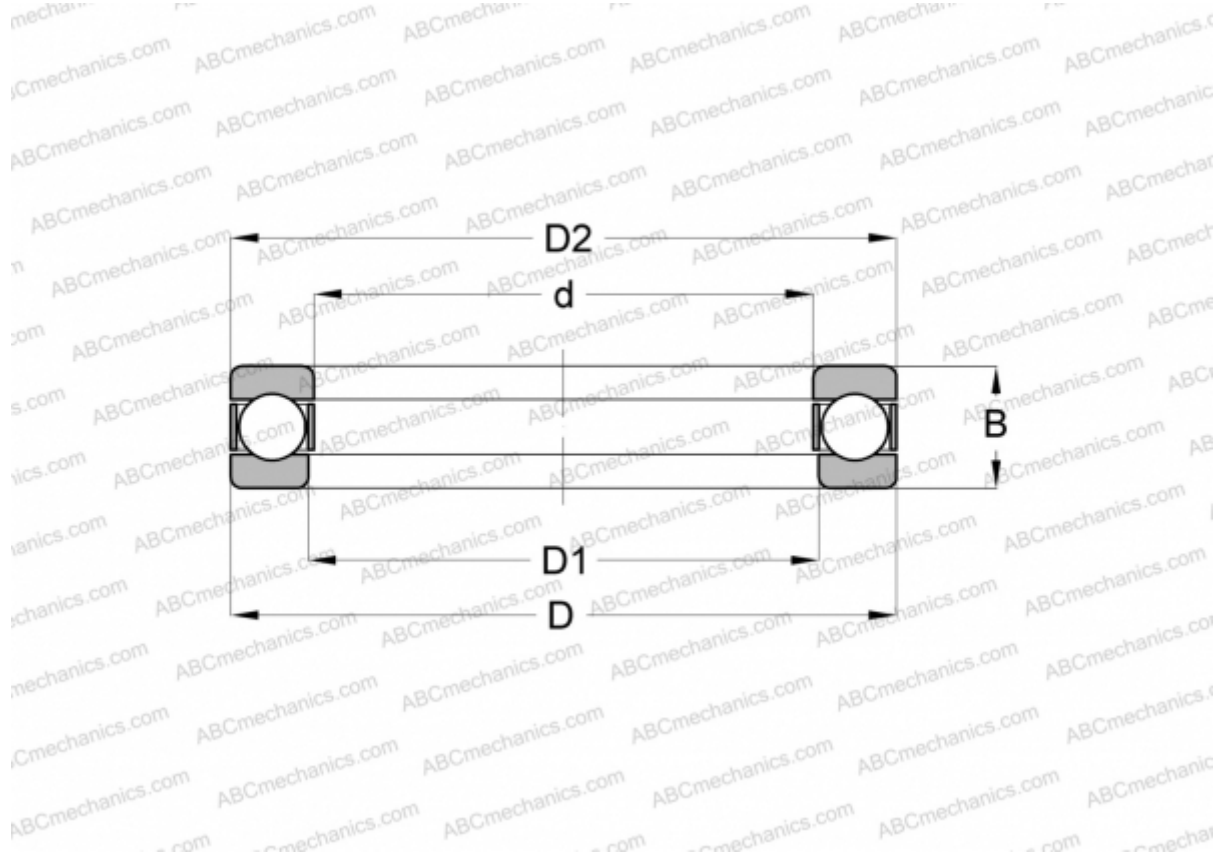


51101 SKF

Thrust ball bearings

TYPE: Ball bearings, Thrust ball bearing, Single direction, Separable



Technical specification

DIMENSIONS, MM

d	12,000
D	26,000
D1	13,000
D2	26,000
B	9,000

WEIGHT, KG 0,022

MANUFACTURER [SKF](#)

INTERCHANGE

ABC	51101
FAG	51101
RIV	ELP 12
RHP	51101
SNR	51101

INTERCHANGE

STEYR [51101](#)

CALCULATION DATA

Basic dynamic load rating, C	10,400 kN
Basic static load rating, Co	16,600 kN
Fatigue load limit, Pu	0,620 kN
Limiting speed	9000 r/min
Attainable speed for grease lubrication	13000 r/min