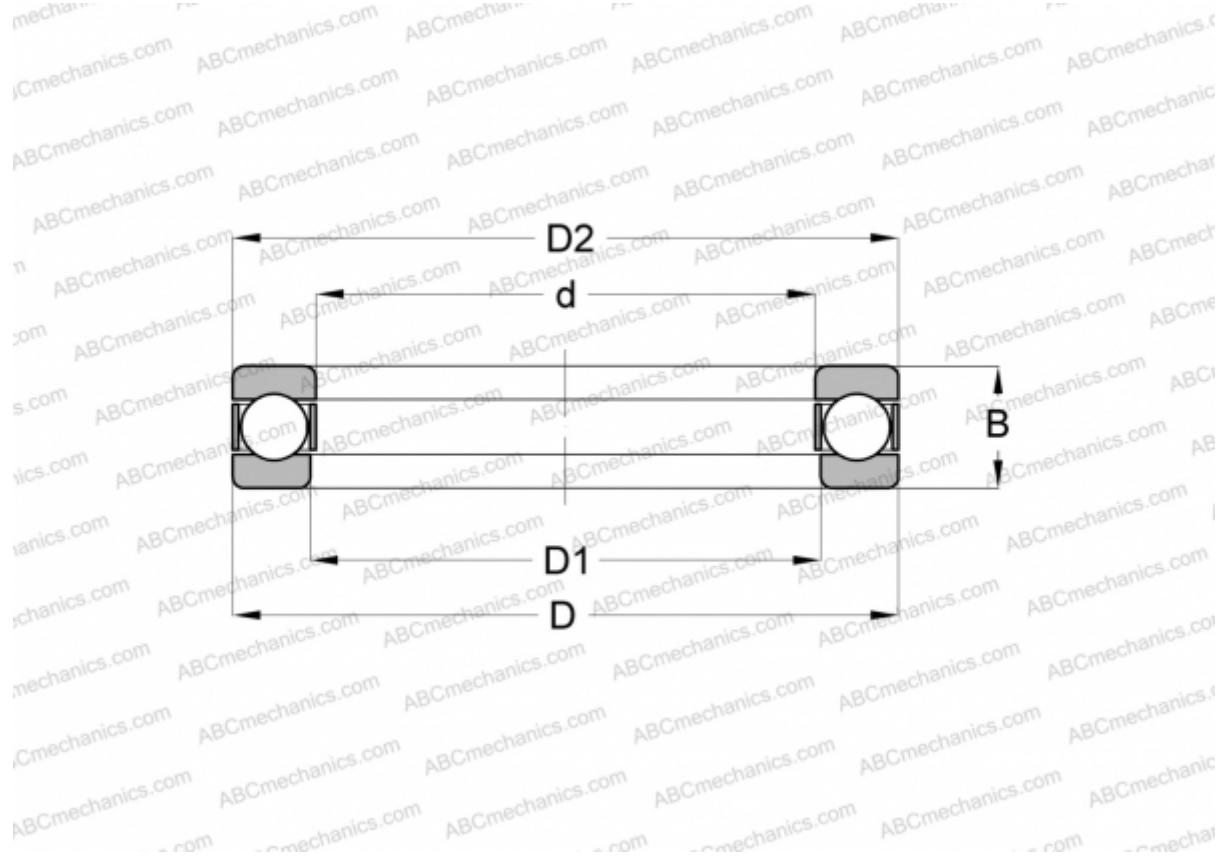


51202 STEYR

Thrust ball bearings

TYPE: Ball bearings, Thrust ball bearing, Single direction, Separable



Technical specification

DIMENSIONS, MM

d	15,000
D	32,000
D1	17,000
D2	32,000
B	12,000

WEIGHT, KG 0,050

MANUFACTURER [STEYR](#)

INTERCHANGE

ABC	51202
FAG	51202
RIV	LP 15
RHP	51202
SKF	51202

INTERCHANGE

SNR	51202
-----	-----------------------