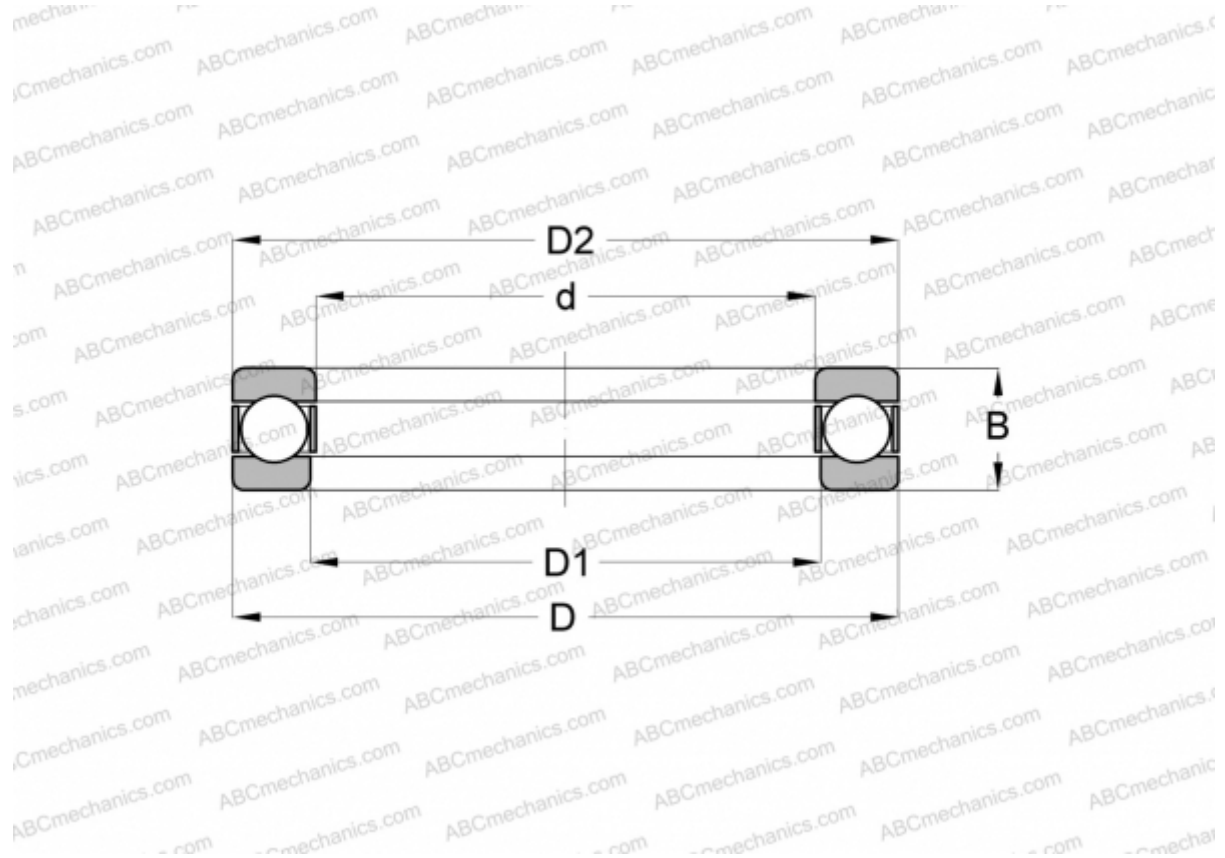


51103 FAG

Thrust ball bearings

TYPE: Ball bearings, Thrust ball bearing, Single direction, Separable



Technical specification

DIMENSIONS, MM

d	17,000
D	30,000
D1	18,000
D2	30,000
B	9,000

WEIGHT, KG 0,032

MANUFACTURER [FAG](#)

INTERCHANGE

ABC	51103
RIV	ELP 17
RHP	51103
SKF	51103
SNR	51103

INTERCHANGE

STEYR [51103](#)