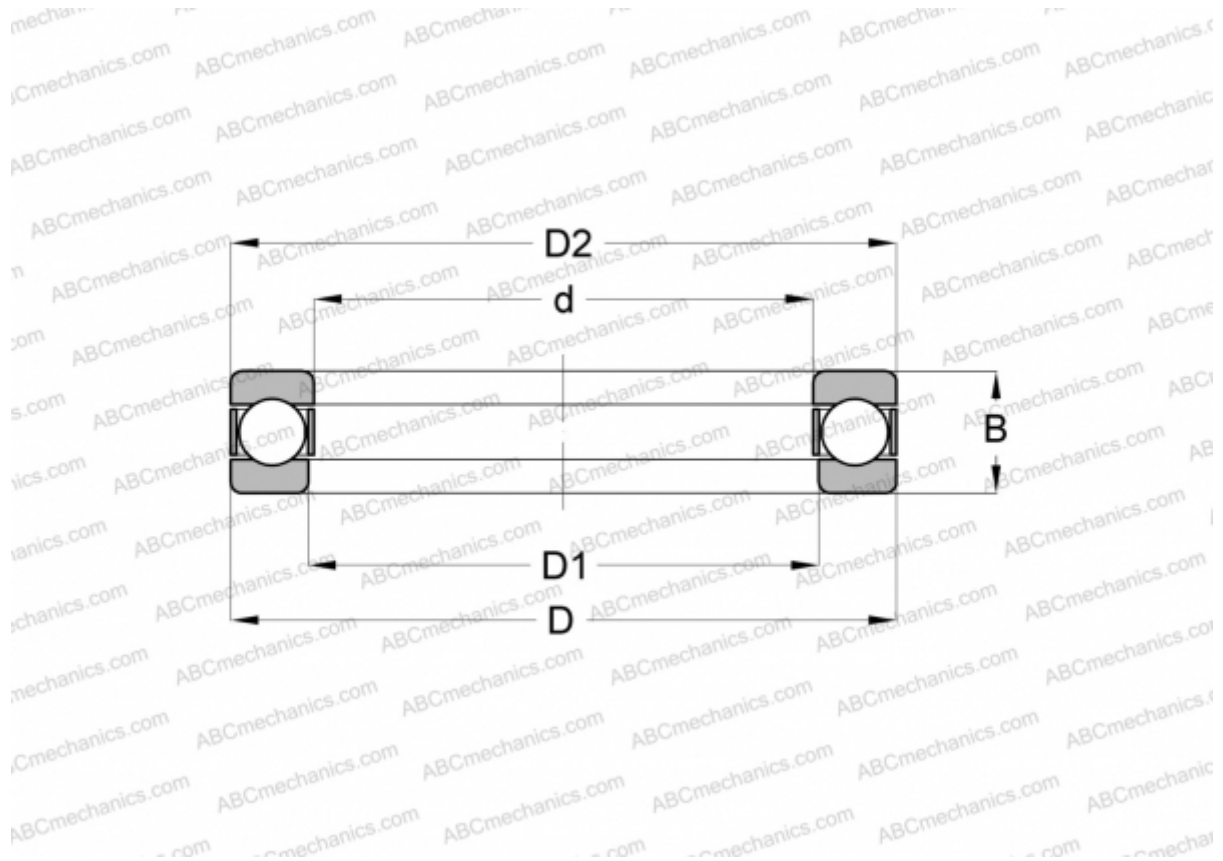


51304 FAG

Thrust ball bearings

TYPE: Ball bearings, Thrust ball bearing, Single direction, Separable



Technical specification

DIMENSIONS, MM

d	20,000
D	47,000
D1	22,000
D2	47,000
B	18,000

WEIGHT, KG 0,141

MANUFACTURER [FAG](#)

INTERCHANGE

ABC	51304
RIV	MPn 20
STEYR	51304