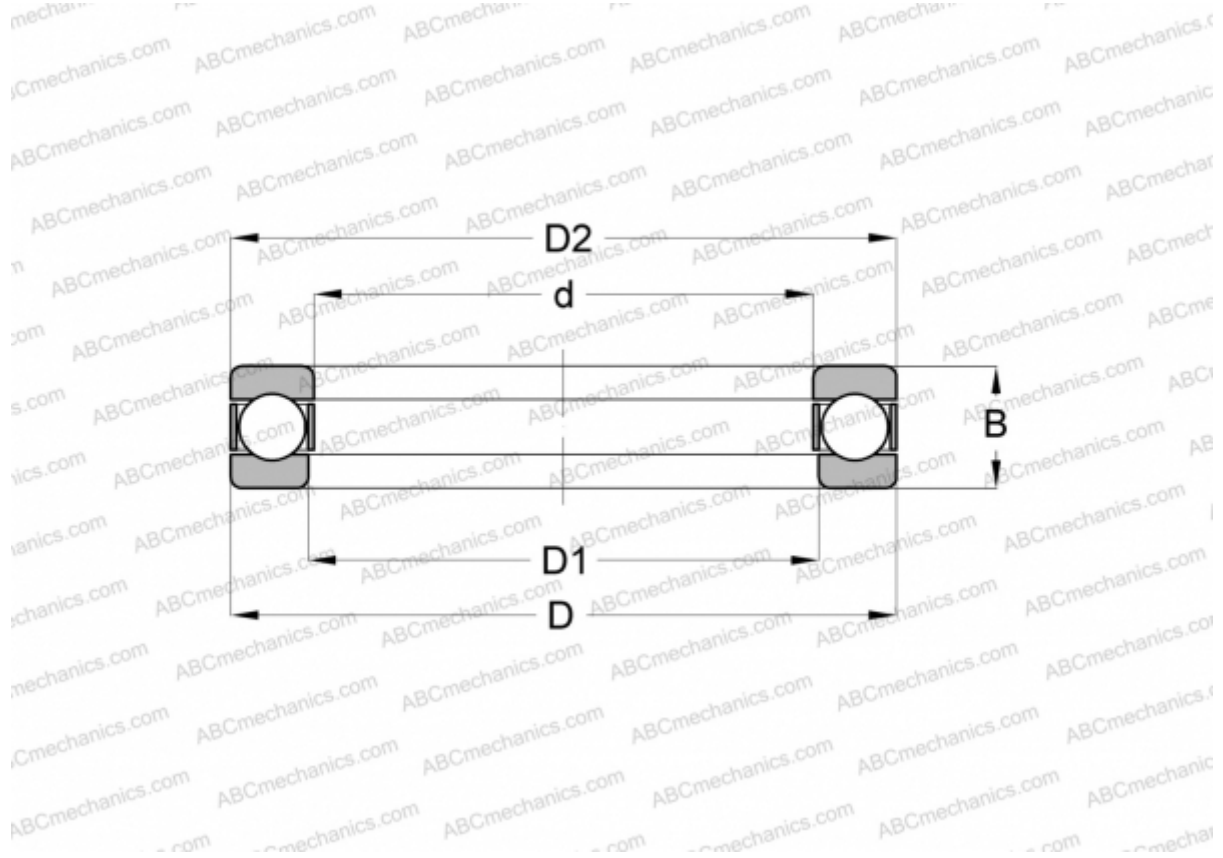


51206 STEYR

Thrust ball bearings

TYPE: Ball bearings, Thrust ball bearing, Single direction, Separable



Technical specification

DIMENSIONS, MM

d	30,000
D	53,000
D1	32,000
D2	53,000
B	16,000

WEIGHT, KG 0,145

MANUFACTURER [STEYR](#)

INTERCHANGE

ABC	51206
RIV	LP 30