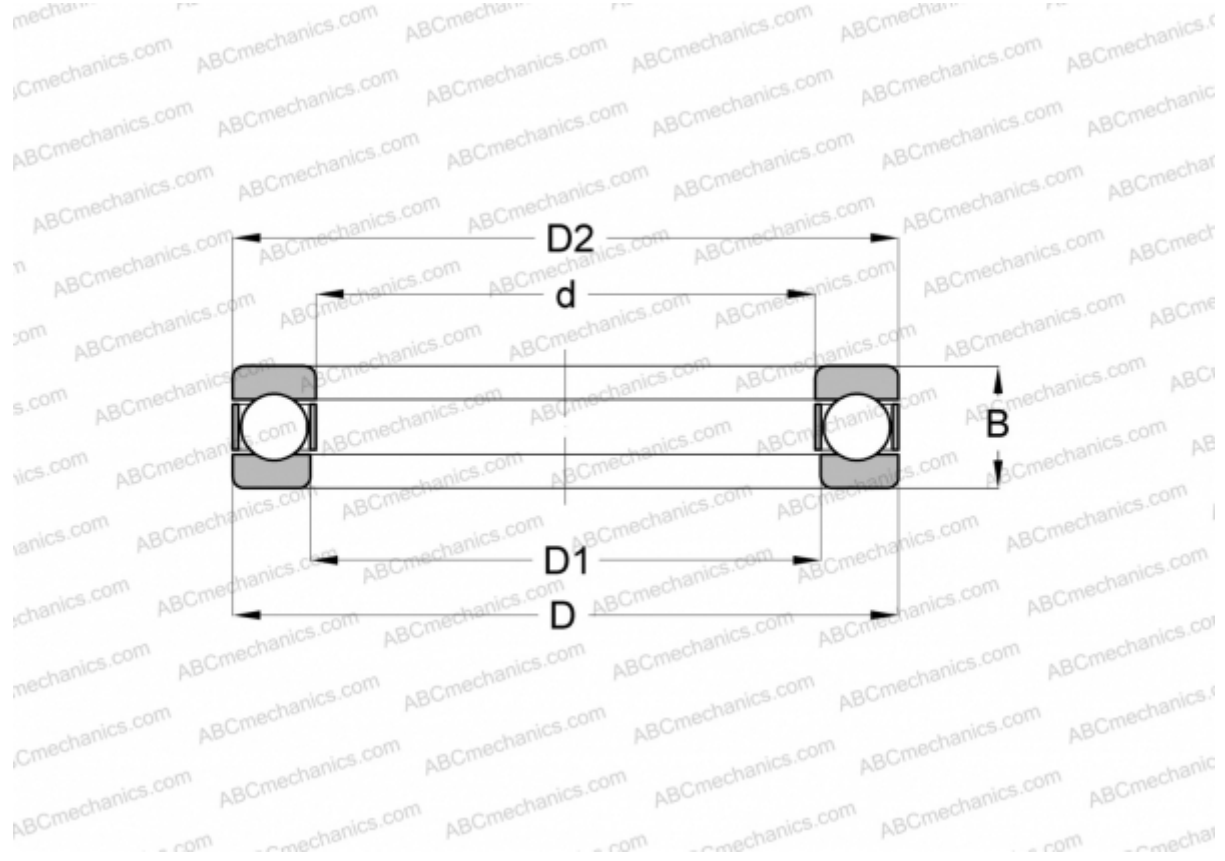


51406 STEYR

Thrust ball bearings

TYPE: Ball bearings, Thrust ball bearing, Single direction, Separable



Technical specification

DIMENSIONS, MM

d	30,000
D	70,000
D1	32,000
D2	70,000
B	28,000

WEIGHT, KG 0,494

MANUFACTURER [STEYR](#)

INTERCHANGE

ABC	51406
FAG	51406
RIV	PP 30
RHP	51406
SKF	51406