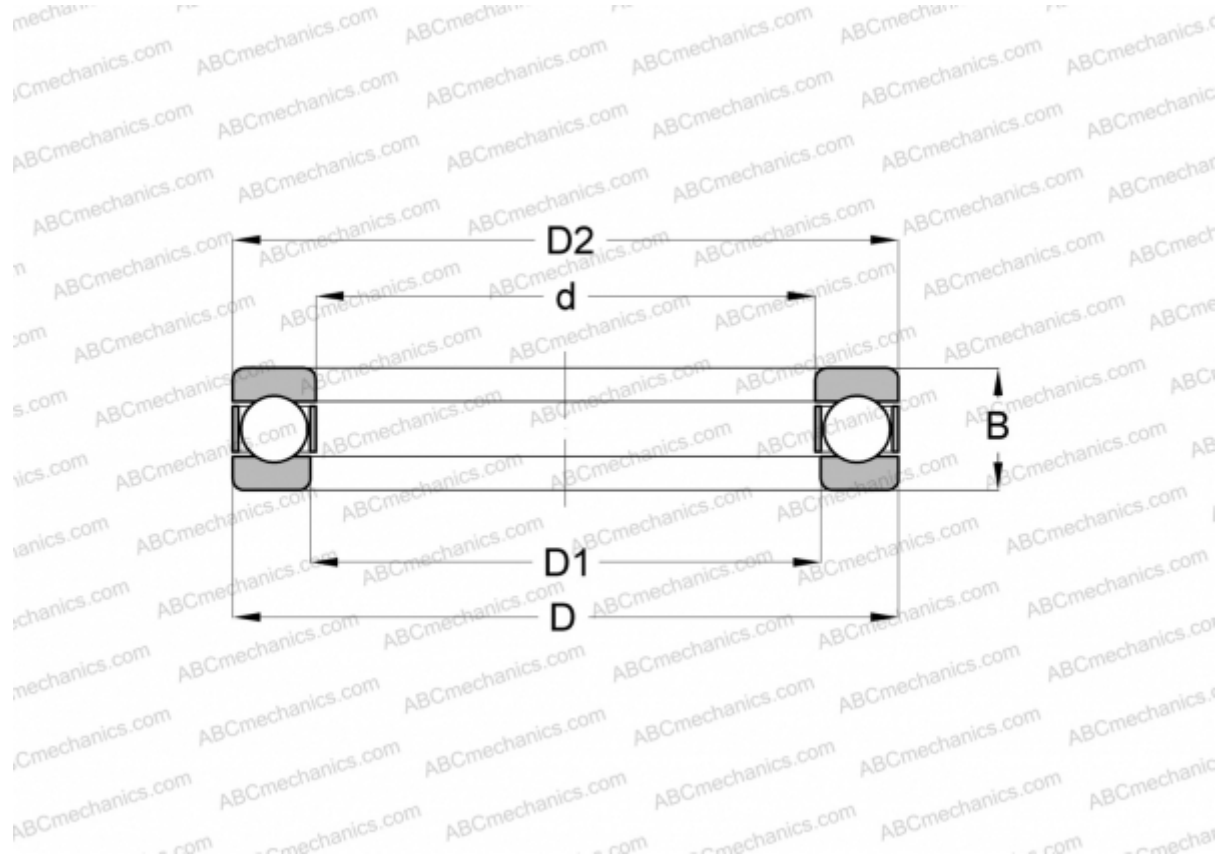


51408 FAG

Thrust ball bearings

TYPE: Ball bearings, Thrust ball bearing, Single direction, Separable



Technical specification

DIMENSIONS, MM

d	40,000
D	90,000
D1	42,000
D2	90,000
B	36,000

WEIGHT, KG 1,070

MANUFACTURER [FAG](#)

INTERCHANGE

ABC	51408
RIV	PP 40
RHP	51408
SKF	51408
STEYR	51408