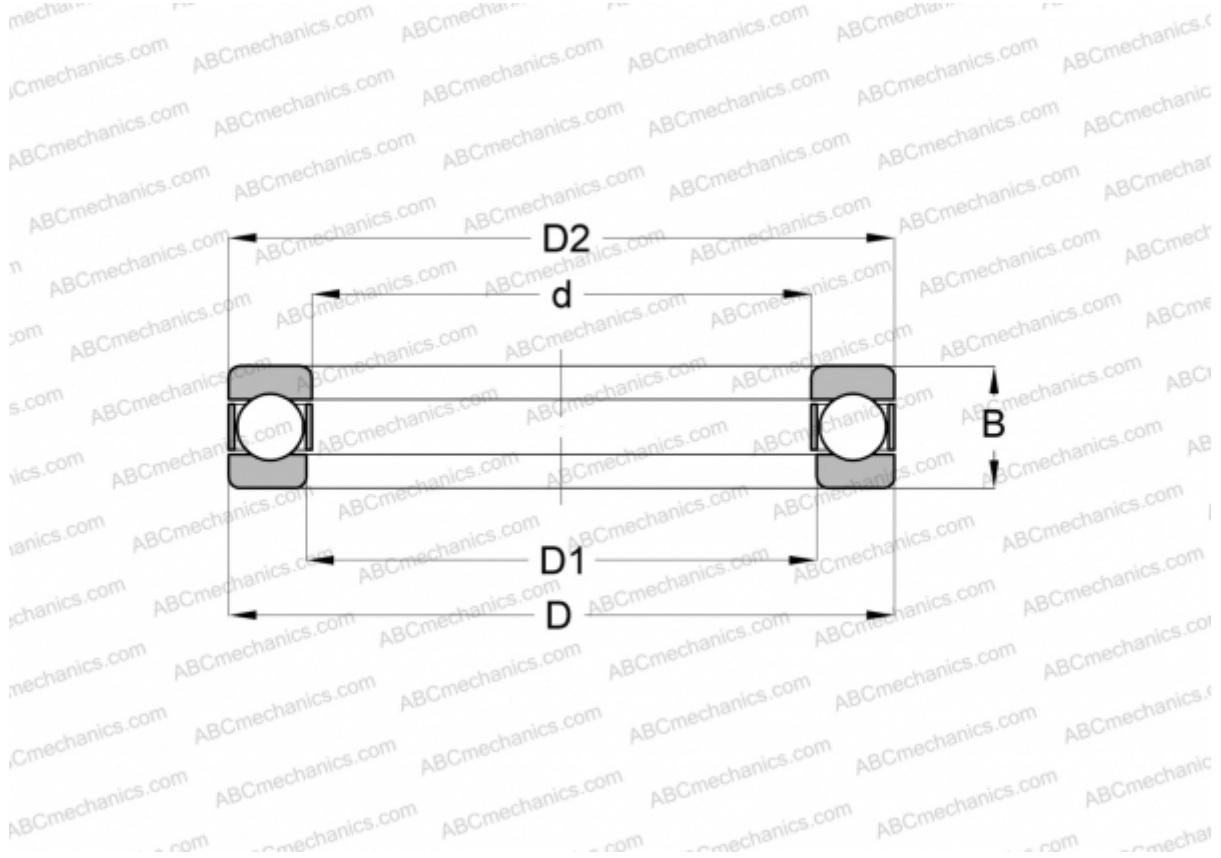


51110 FAG

Thrust ball bearings

TYPE: Ball bearings, Thrust ball bearing, Single direction, Separable



Technical specification

DIMENSIONS, MM

d	50,000
D	70,000
D1	52,000
D2	70,000
B	14,000

WEIGHT, KG 0,154

MANUFACTURER [FAG](#)

INTERCHANGE

ABC	51110
RIV	ELP 50
RHP	51110
SKF	51110
SNR	51110

INTERCHANGE

STEYR	51110
-------	-----------------------