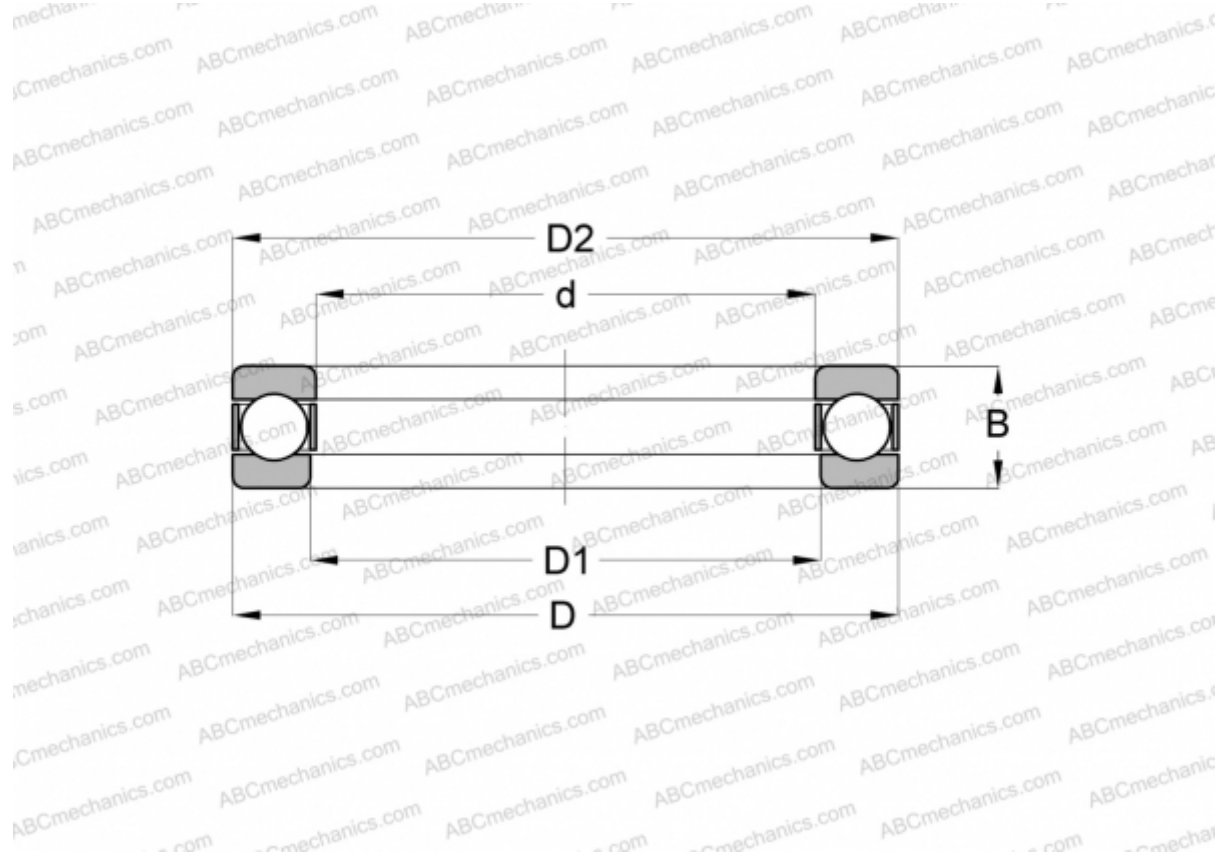


## 51210 SKF

Thrust ball bearings

TYPE: Ball bearings, Thrust ball bearing, Single direction, Separable



### Technical specification

#### DIMENSIONS, MM

d	50,000
D	78,000
D1	52,000
D2	78,000
B	22,000

**WEIGHT, KG** 0,370

**MANUFACTURER** [SKF](#)

#### INTERCHANGE

ABC	<a href="#">51210</a>
FAG	<a href="#">51210</a>
RIV	<a href="#">LP 50</a>
RHP	<a href="#">51210</a>
SNR	<a href="#">51210</a>

#### INTERCHANGE

STEYR [51210](#)

#### CALCULATION DATA

Basic dynamic load rating, C	49,400 kN
Basic static load rating, Co	116,000 kN
Fatigue load limit, Pu	4,300 kN
Limiting speed	3400 r/min
Attainable speed for grease lubrication	4500 r/min