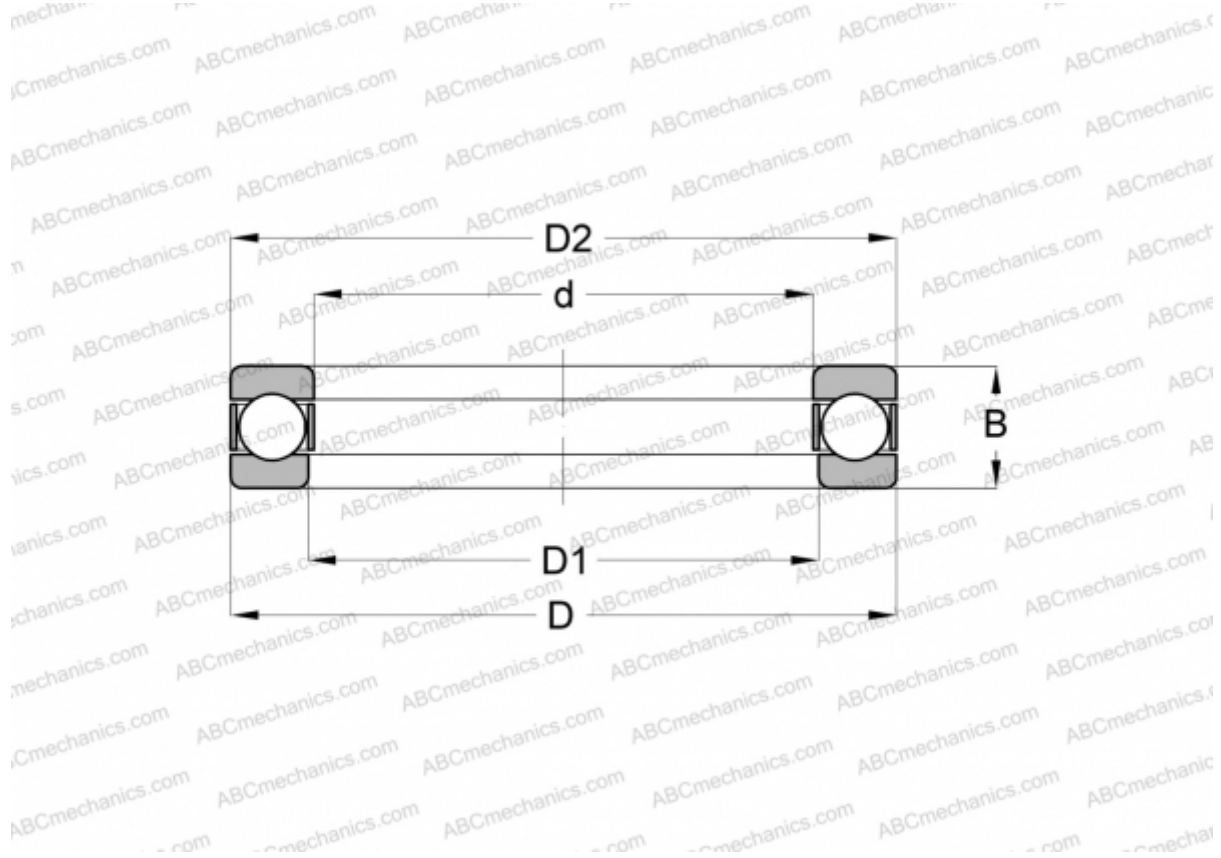


51211 SKF

Thrust ball bearings

TYPE: Ball bearings, Thrust ball bearing, Single direction, Separable



Technical specification

DIMENSIONS, MM

d	55,000
D	90,000
D1	57,000
D2	90,000
B	25,000

WEIGHT, KG 0,590

MANUFACTURER [SKF](#)

INTERCHANGE

ABC	51211
FAG	51211
RIV	LP 55
RHP	51211
SNR	51211

INTERCHANGE

STEYR [51211](#)

CALCULATION DATA

Basic dynamic load rating, C	61,800 kN
Basic static load rating, Co	146,000 kN
Fatigue load limit, Pu	5,400 kN
Limiting speed	2800 r/min
Attainable speed for grease lubrication	4000 r/min