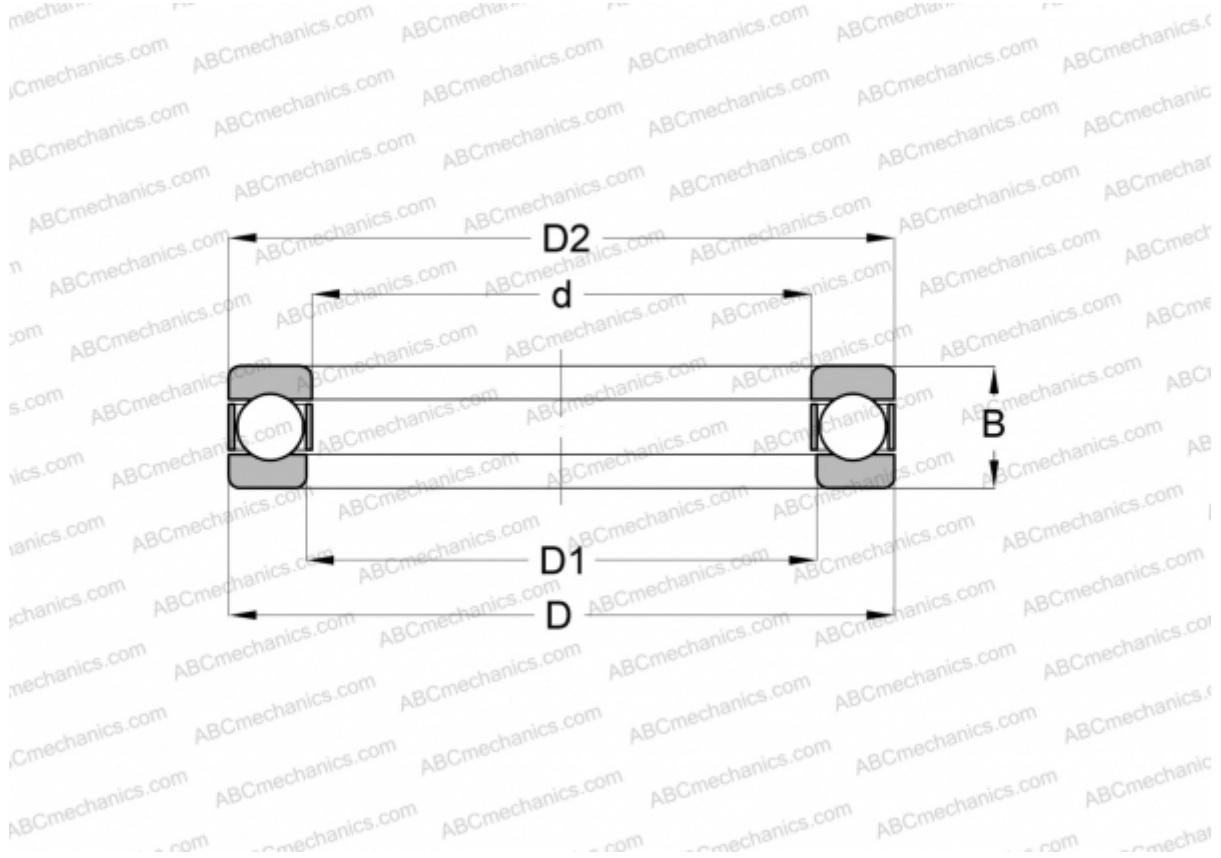


51260 FAG

Thrust ball bearings

TYPE: Ball bearings, Thrust ball bearing, Single direction, Separable



Technical specification

DIMENSIONS, MM

d	300,000
D	420,000
D1	304,000
D2	415,000
B	95,000

WEIGHT, KG 43,091

MANUFACTURER [FAG](#)

INTERCHANGE

ABC	51260
RIV	LP 300
RHP	51260
SKF	51260 M
SNR	51260