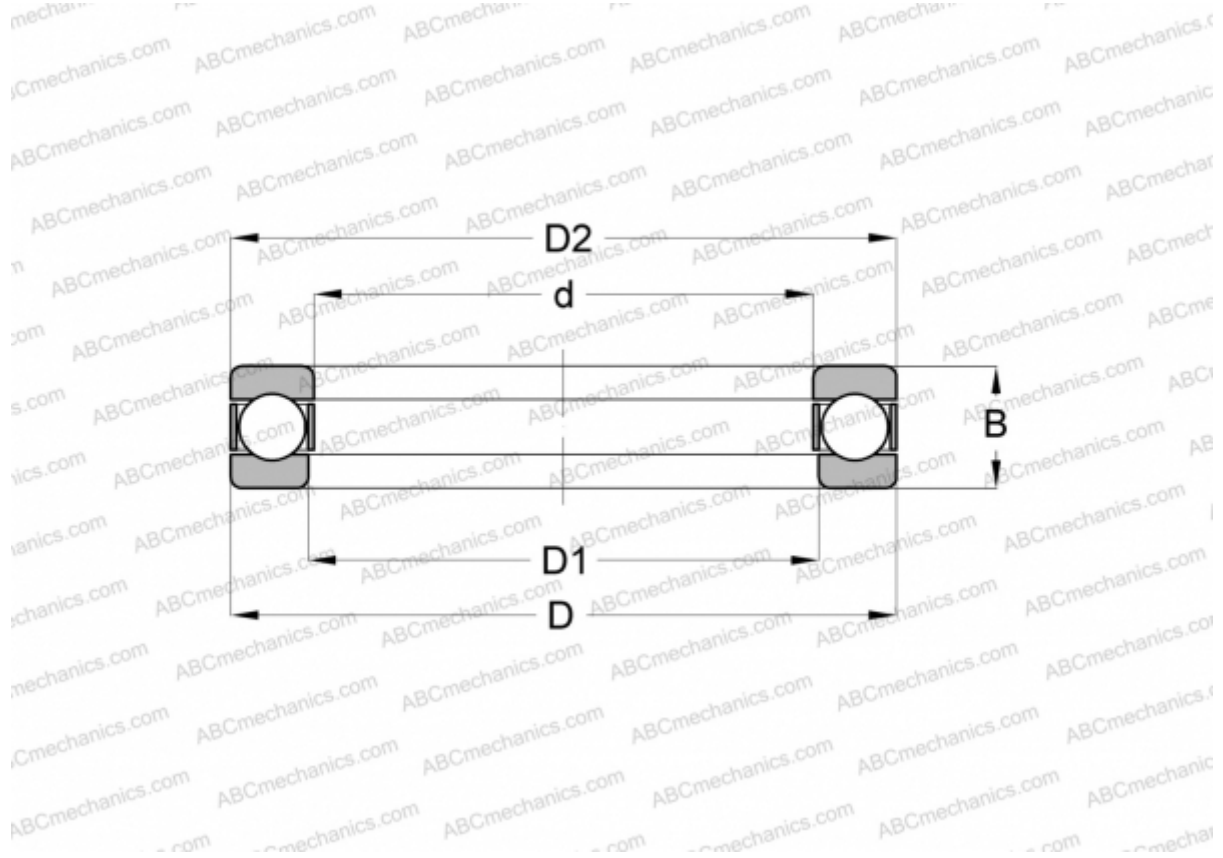


51264 FAG

Thrust ball bearings

TYPE: Ball bearings, Thrust ball bearing, Single direction, Separable



Technical specification

DIMENSIONS, MM

d	320,000
D	440,000
D1	325,000
D2	435,000
B	95,000

WEIGHT, KG 45,359

MANUFACTURER [FAG](#)

INTERCHANGE

ABC	51264
RIV	LP 320
RHP	51264
SKF	51264
SNR	51264