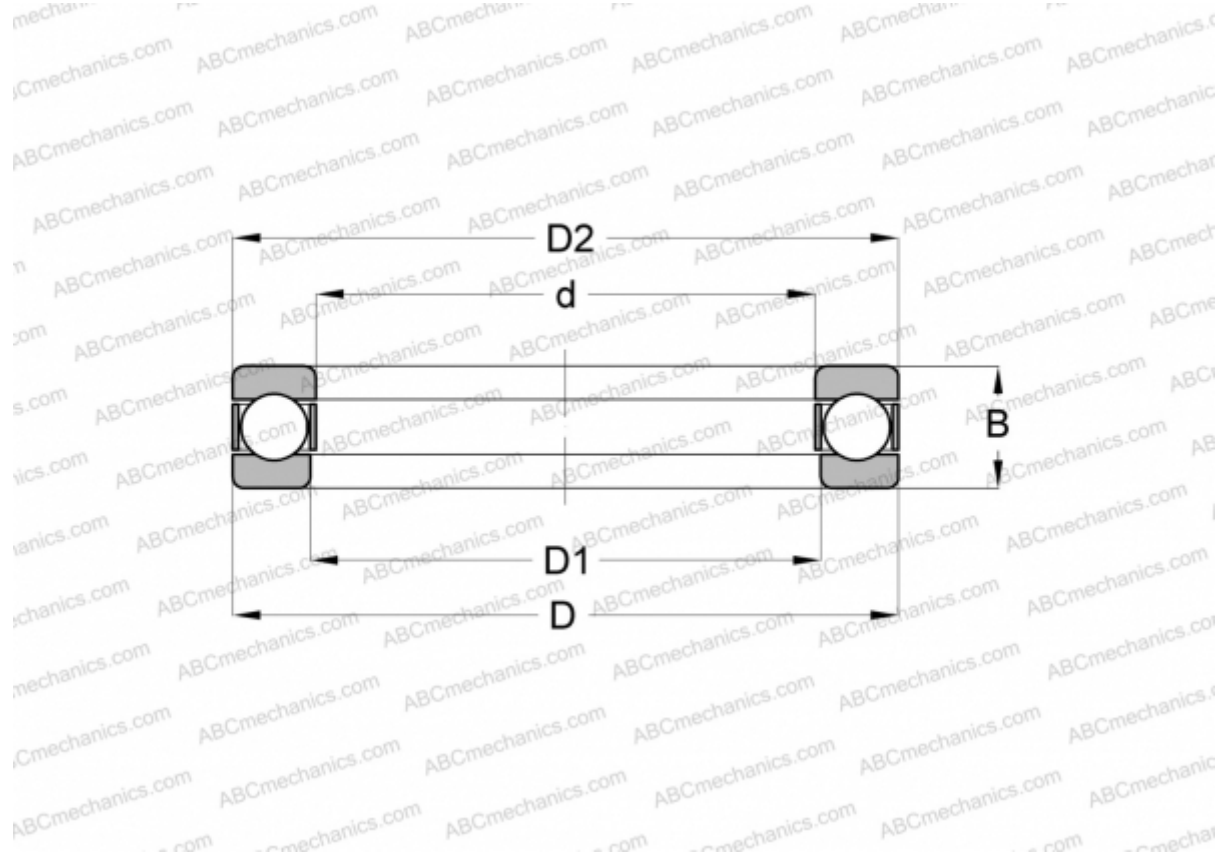


## LP 320 RIV

Thrust ball bearings

TYPE: Ball bearings, Thrust ball bearing, Single direction, Separable



### Technical specification

#### DIMENSIONS, MM

d	320,000
D	440,000
D1	325,000
D2	435,000
B	95,000

**WEIGHT, KG** 45,359

**MANUFACTURER** [RIV](#)

#### INTERCHANGE

ABC	<a href="#">51264</a>
FAG	<a href="#">51264</a>
RHP	<a href="#">51264</a>
SKF	<a href="#">51264</a>
SNR	<a href="#">51264</a>