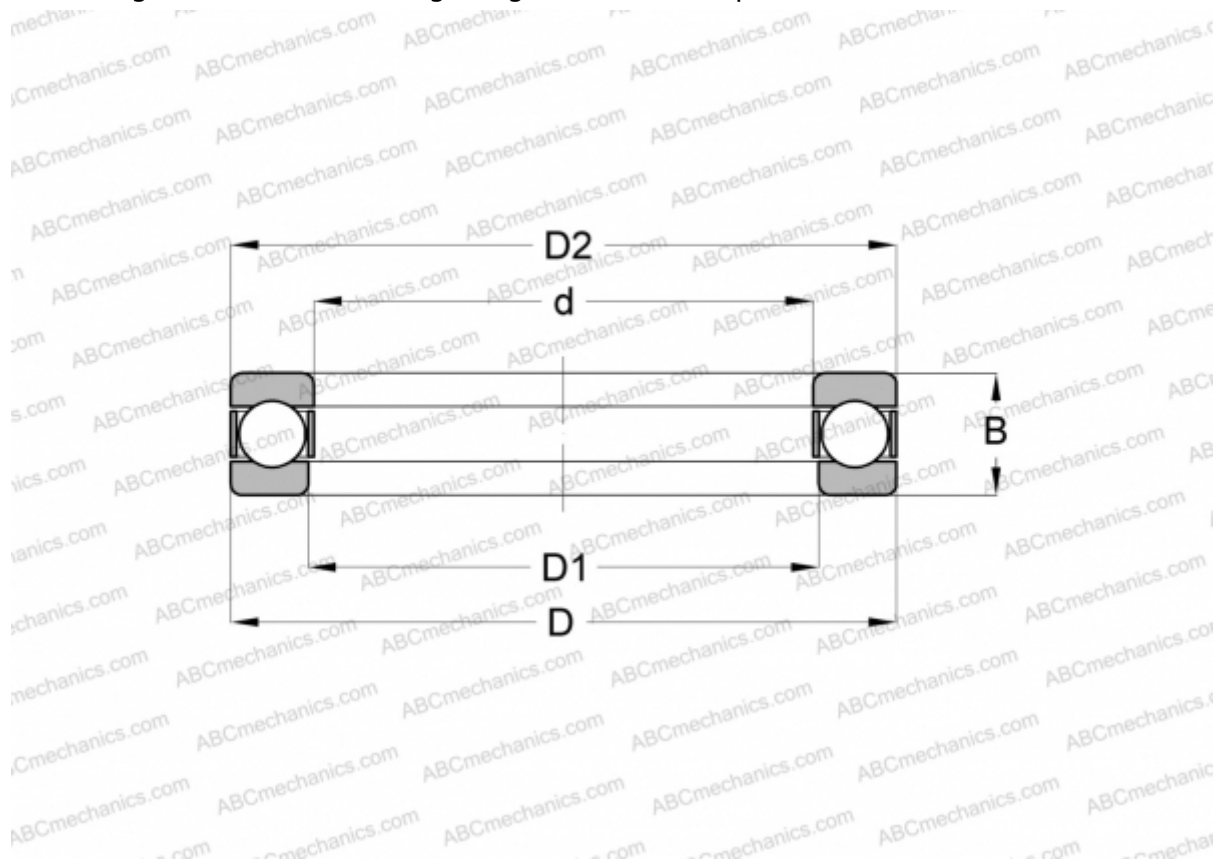


51364 STEYR

Thrust ball bearings

TYPE: Ball bearings, Thrust ball bearing, Single direction, Separable



Technical specification

DIMENSIONS, MM

d	320,000
D	500,000
D1	325,000
D2	495,000
B	140,000

WEIGHT, KG 109,270

MANUFACTURER [STEYR](#)

INTERCHANGE

ABC	51364
FAG	51364
SKF	51364