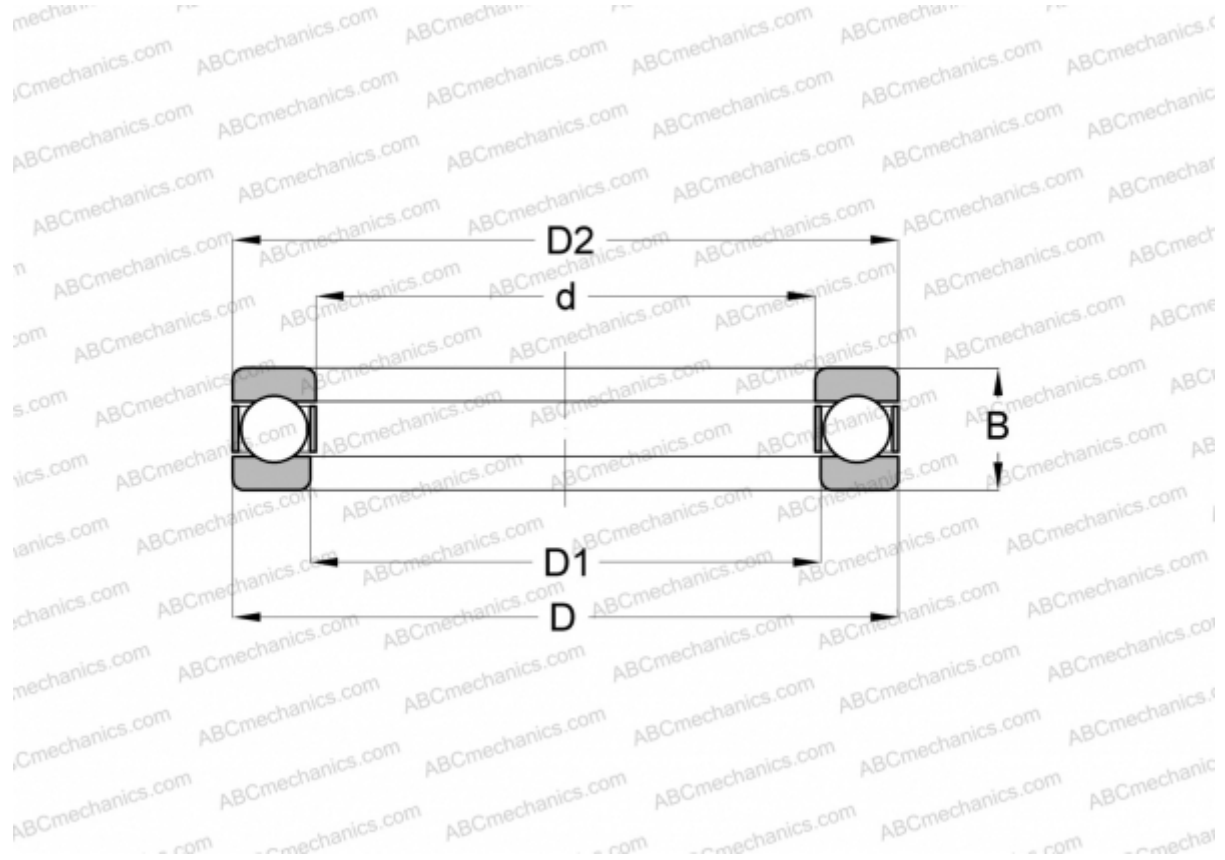


## 51176 RHP

Thrust ball bearings

TYPE: Ball bearings, Thrust ball bearing, Single direction, Separable



### Technical specification

#### DIMENSIONS, MM

|    |         |
|----|---------|
| d  | 380,000 |
| D  | 460,000 |
| D1 | 384,000 |
| D2 | 456,000 |
| B  | 65,000  |

**WEIGHT, KG** 23,002

**MANUFACTURER** [RHP](#)

#### INTERCHANGE

|     |                         |
|-----|-------------------------|
| ABC | <a href="#">51176</a>   |
| FAG | <a href="#">51176</a>   |
| SKF | <a href="#">51176 F</a> |
| SNR | <a href="#">51176</a>   |