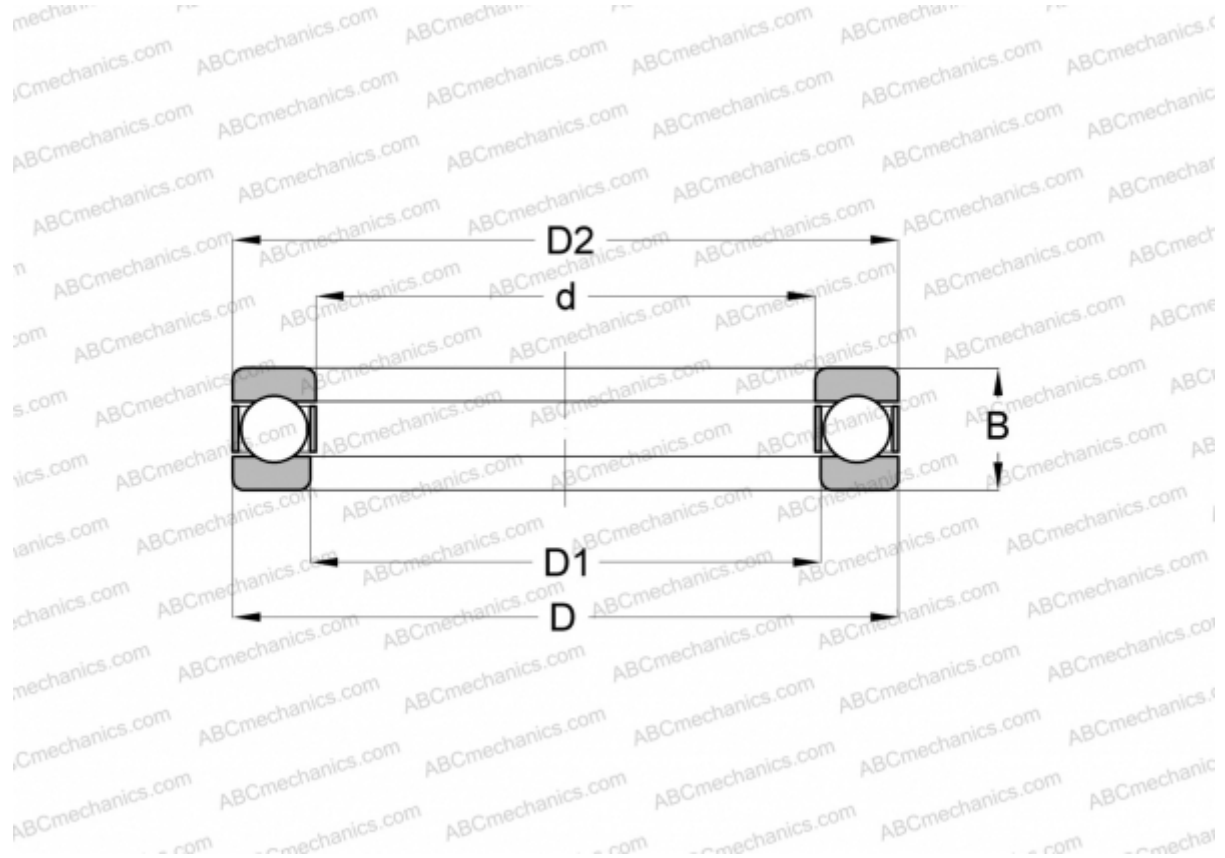


51176 F SKF

Thrust ball bearings

TYPE: Ball bearings, Thrust ball bearing, Single direction, Separable



Technical specification

DIMENSIONS, MM

d	380,000
D	460,000
D1	384,000
D2	456,000
B	65,000

WEIGHT, KG 23,000

MANUFACTURER [SKF](#)

INTERCHANGE

ABC	51176
FAG	51176
RHP	51176
SNR	51176

CALCULATION DATA

Basic dynamic load rating, C	397,000 kN
Basic static load rating, Co	2200,000 kN
Fatigue load limit, Pu	40,000 kN
Reference speed	25 r/min
Limiting speed	750 r/min
Attainable speed for grease lubrication	1000 r/min