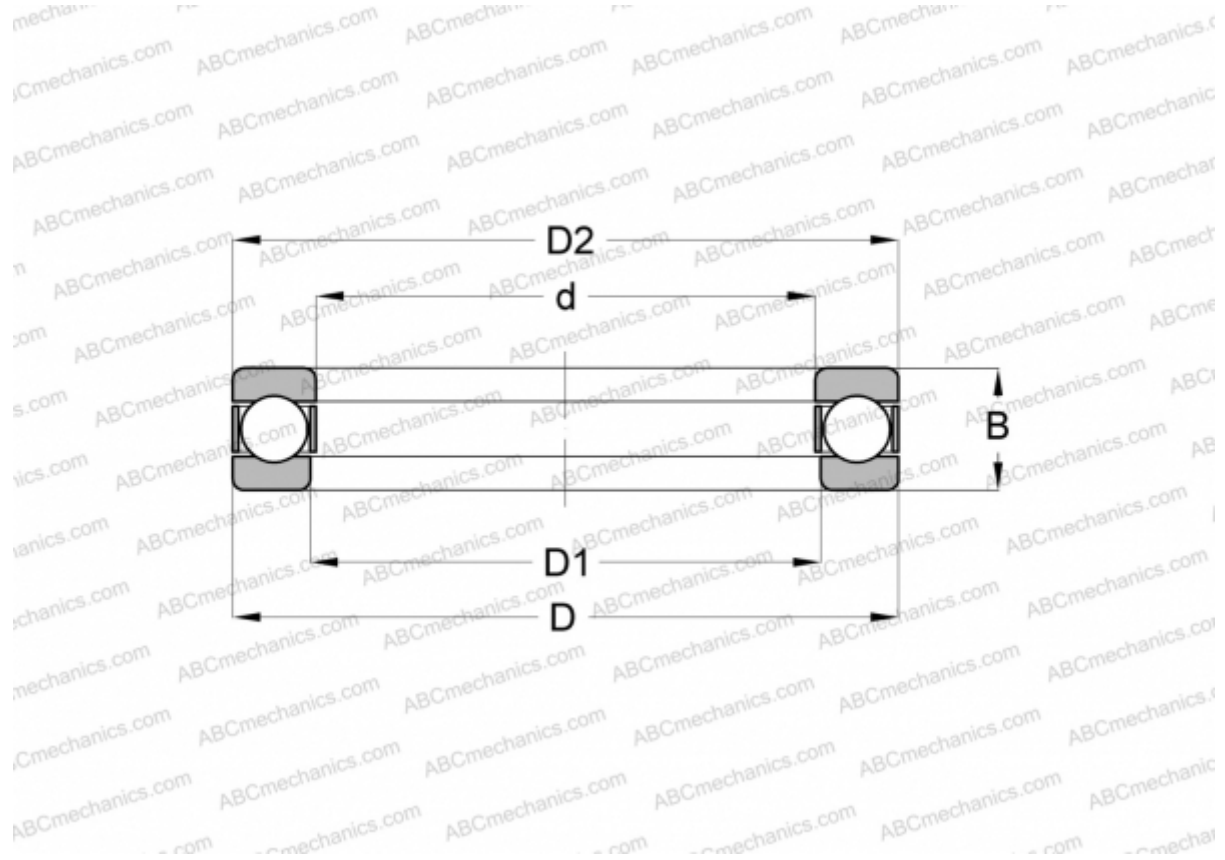


51176 SNR

Thrust ball bearings

TYPE: Ball bearings, Thrust ball bearing, Single direction, Separable



Technical specification

DIMENSIONS, MM

d	380,000
D	460,000
D1	384,000
D2	456,000
B	65,000

WEIGHT, KG 23,002

MANUFACTURER [SNR](#)

INTERCHANGE

ABC	51176
FAG	51176
RHP	51176
SKF	51176 F