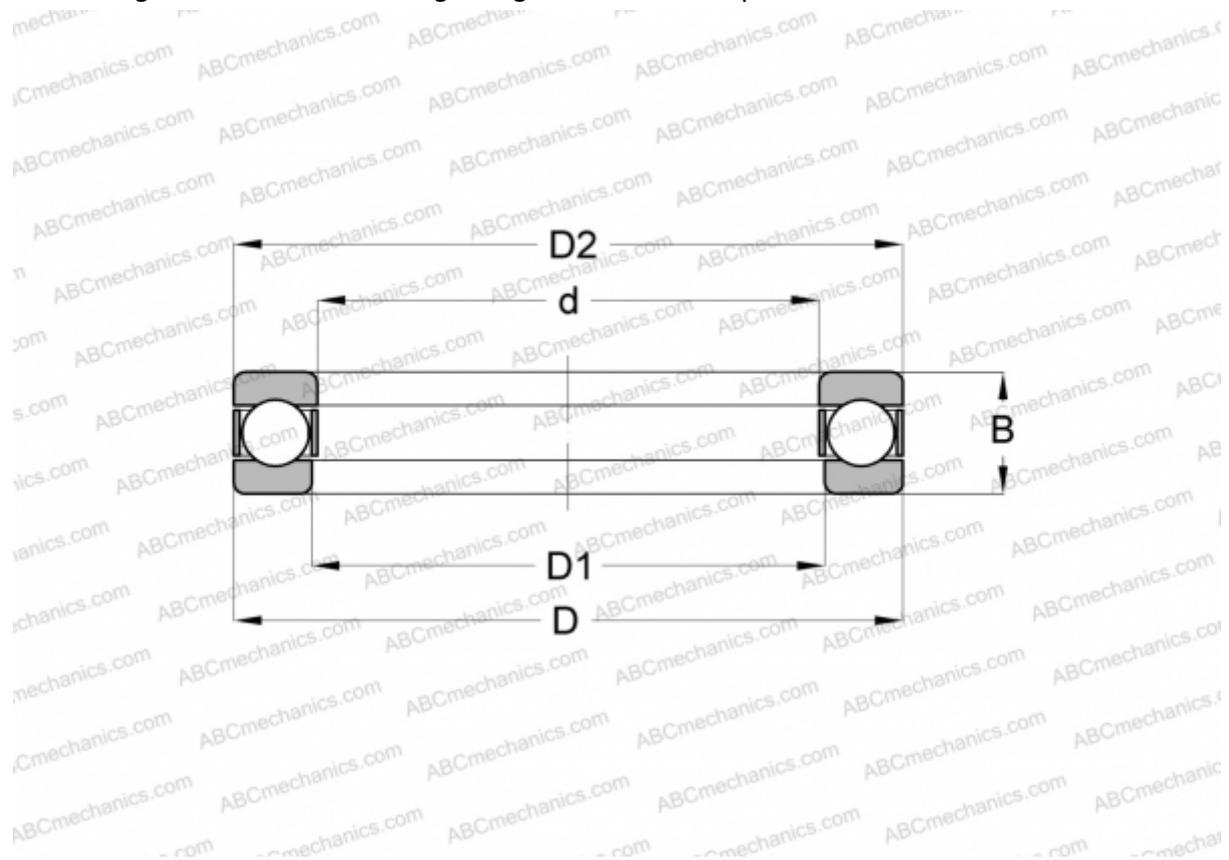


51280 ABC

Thrust ball bearings

TYPE: Ball bearings, Thrust ball bearing, Single direction, Separable



Technical specification

DIMENSIONS, MM

d	400,000
D	540,000
D1	405,000
D2	535,000
B	112,000

WEIGHT, KG 77,111

MANUFACTURER [ABC](#)

INTERCHANGE

FAG	51280
RHP	51280
SNR	51280