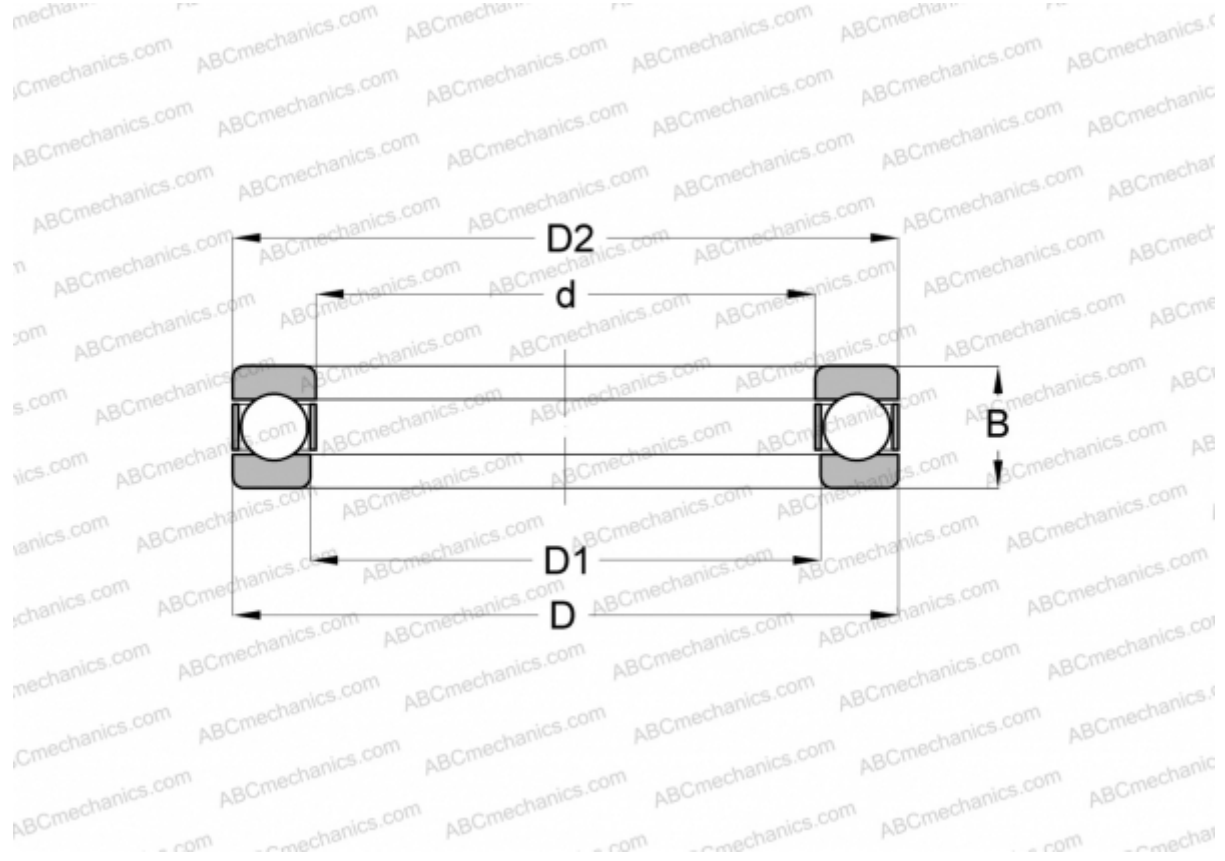


51184 FAG

Thrust ball bearings

TYPE: Ball bearings, Thrust ball bearing, Single direction, Separable



Technical specification

DIMENSIONS, MM

d	420,000
D	500,000
D1	424,000
D2	495,000
B	65,000

WEIGHT, KG 25,265

MANUFACTURER [FAG](#)

INTERCHANGE

ABC	51184
RHP	51184
SKF	51184 F
SNR	51184