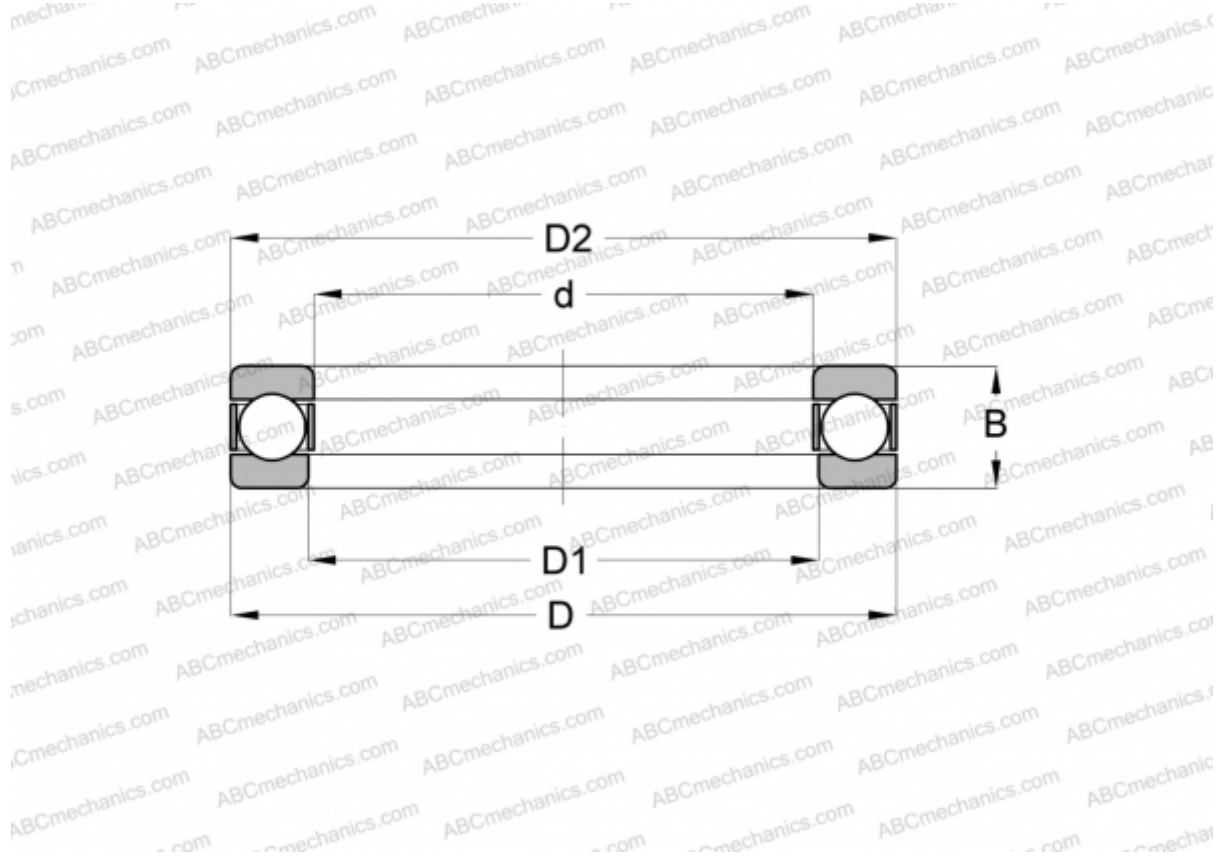


51284 RHP

Thrust ball bearings

TYPE: Ball bearings, Thrust ball bearing, Single direction, Separable



Technical specification

DIMENSIONS, MM

d	420,000
D	580,000
D1	425,000
D2	575,000
B	130,000

WEIGHT, KG 110,268

MANUFACTURER [RHP](#)

INTERCHANGE

ABC	51284
FAG	51284
SNR	51284