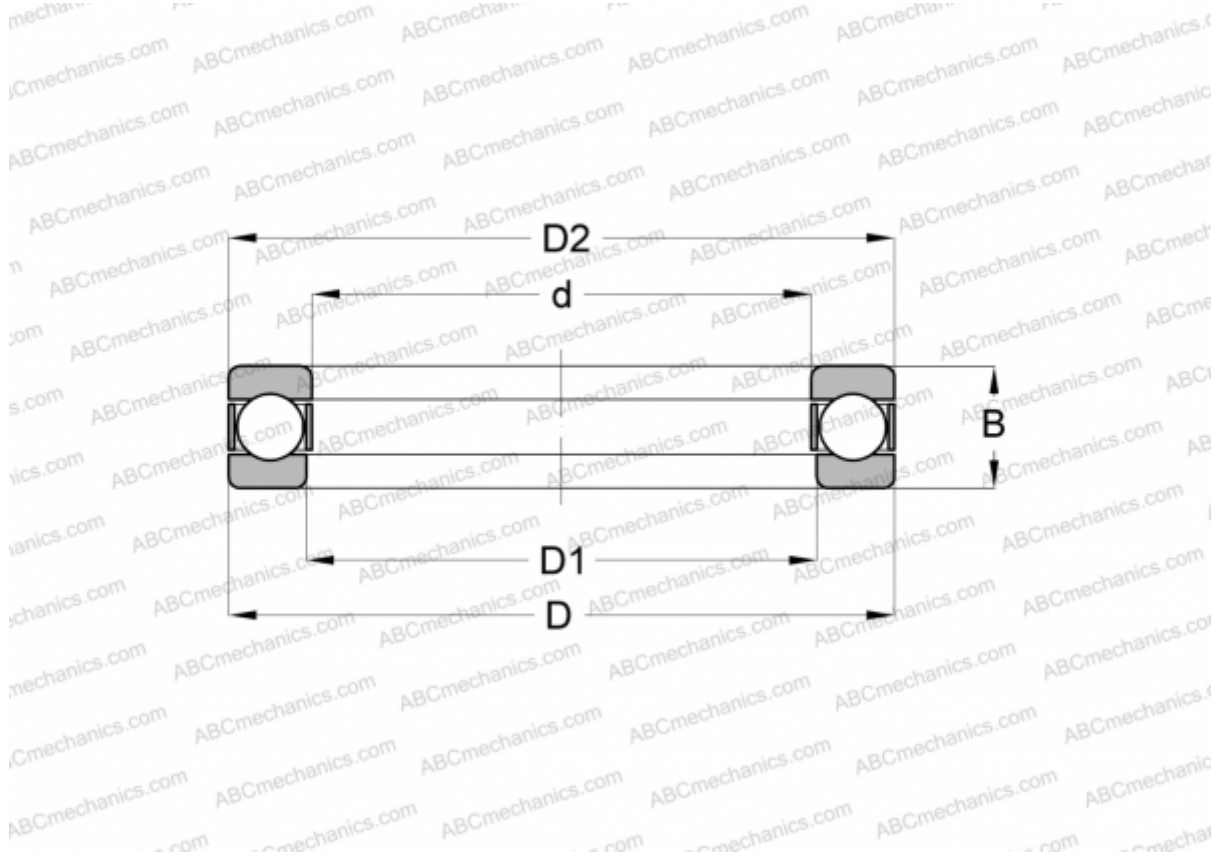


## 51192 RHP

Thrust ball bearings

TYPE: Ball bearings, Thrust ball bearing, Single direction, Separable



### Technical specification

#### DIMENSIONS, MM

d	460,000
D	560,000
D1	464,000
D2	555,000
B	80,000

**WEIGHT, KG** 42,638

**MANUFACTURER** [RHP](#)

#### INTERCHANGE

ABC	<a href="#">51192</a>
FAG	<a href="#">51192</a>
SKF	<a href="#">51192 F</a>
SNR	<a href="#">51192</a>