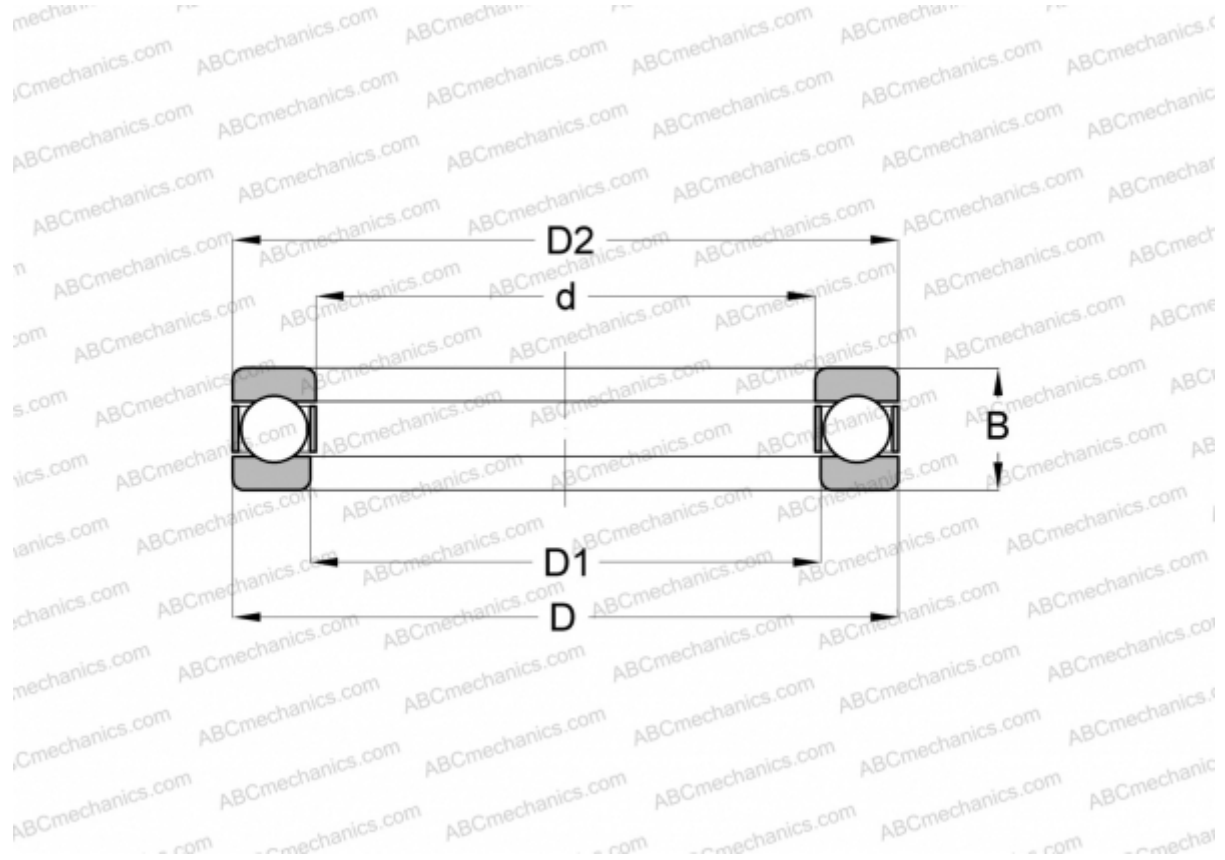


511/530 FAG

Thrust ball bearings

TYPE: Ball bearings, Thrust ball bearing, Single direction, Separable



Technical specification

DIMENSIONS, MM

d	530,000
D	640,000
D1	535,000
D2	635,000
B	85,000

WEIGHT, KG 56,245

MANUFACTURER [FAG](#)

INTERCHANGE

ABC	511/530
RHP	511/530
SKF	511/530 F
SNR	511/530