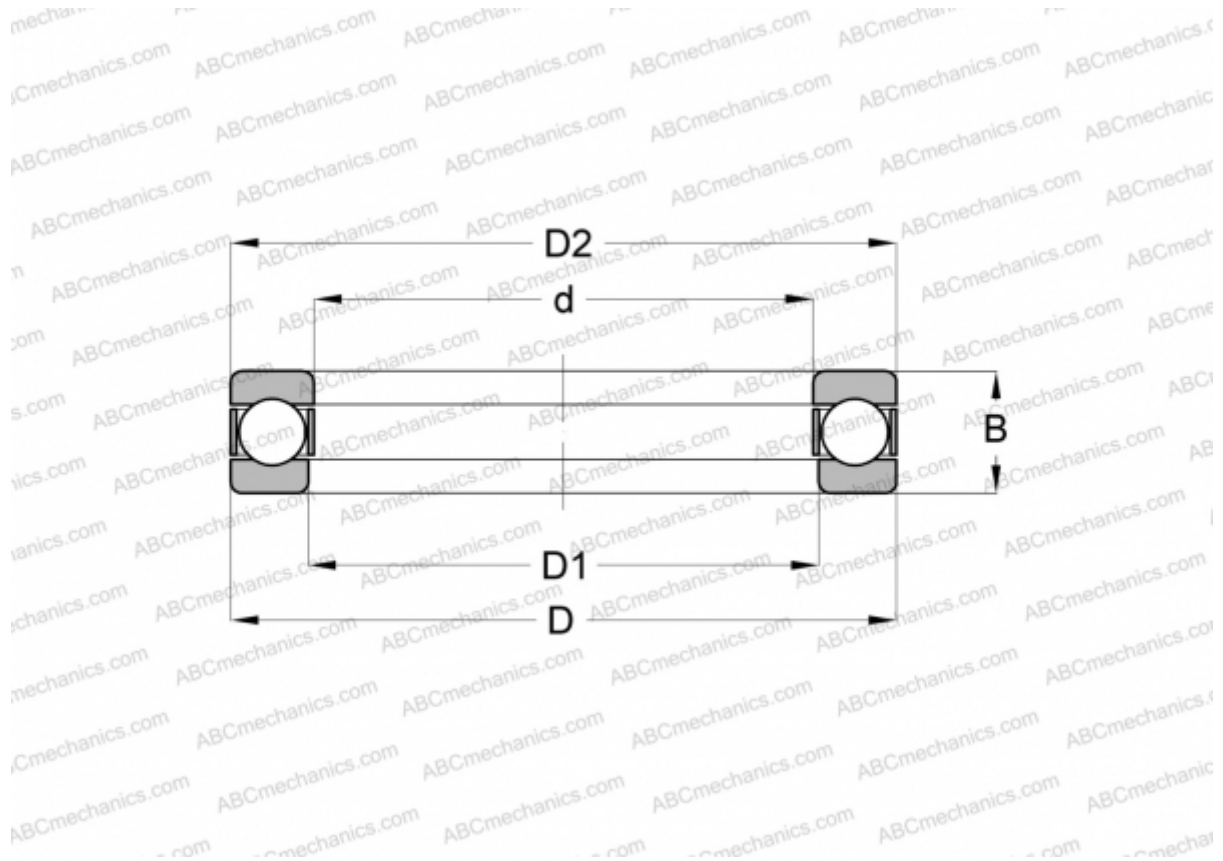


## 511/560 FAG

Thrust ball bearings

TYPE: Ball bearings, Thrust ball bearing, Single direction, Separable



### Technical specification

#### DIMENSIONS, MM

d	560,000
D	670,000
D1	565,000
D2	665,000
B	85,000

**WEIGHT, KG** 59,194

**MANUFACTURER** [FAG](#)

#### INTERCHANGE

ABC	<a href="#">511/560</a>
RHP	<a href="#">511/560</a>
SKF	<a href="#">511/560 F</a>