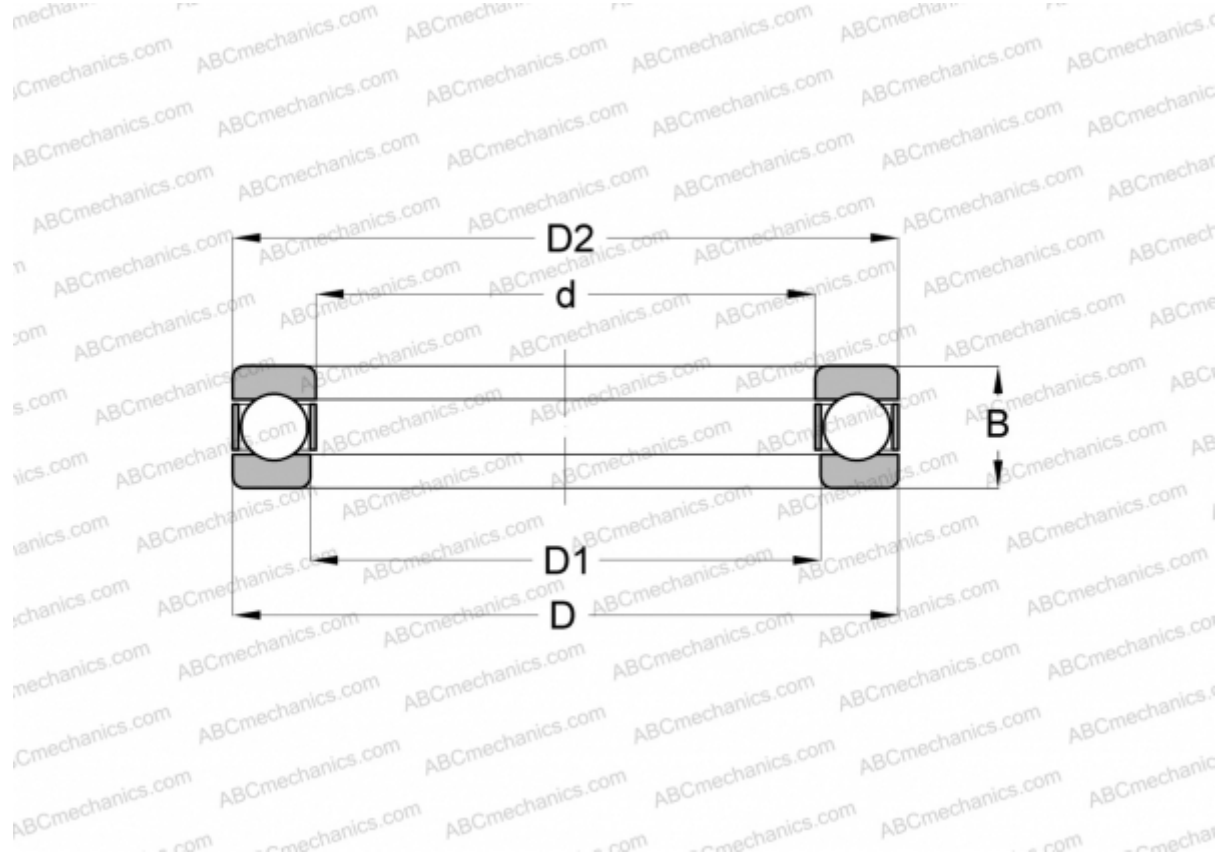


511/600 F SKF

Thrust ball bearings

TYPE: Ball bearings, Thrust ball bearing, Single direction, Separable



Technical specification

DIMENSIONS, MM

d	600,000
D	710,000
D1	604,000
D2	706,000
B	85,000

WEIGHT, KG 65,000

MANUFACTURER [SKF](#)

INTERCHANGE

ABC [511/600](#)

CALCULATION DATA

Reference speed	120 r/min
Limiting speed	500 r/min
Attainable speed for grease lubrication	700 r/min

CALCULATION DATA

Basic dynamic load rating, C	663,000 kN
Basic static load rating, Co	4800,000 kN
Fatigue load limit, Pu	69,500 kN