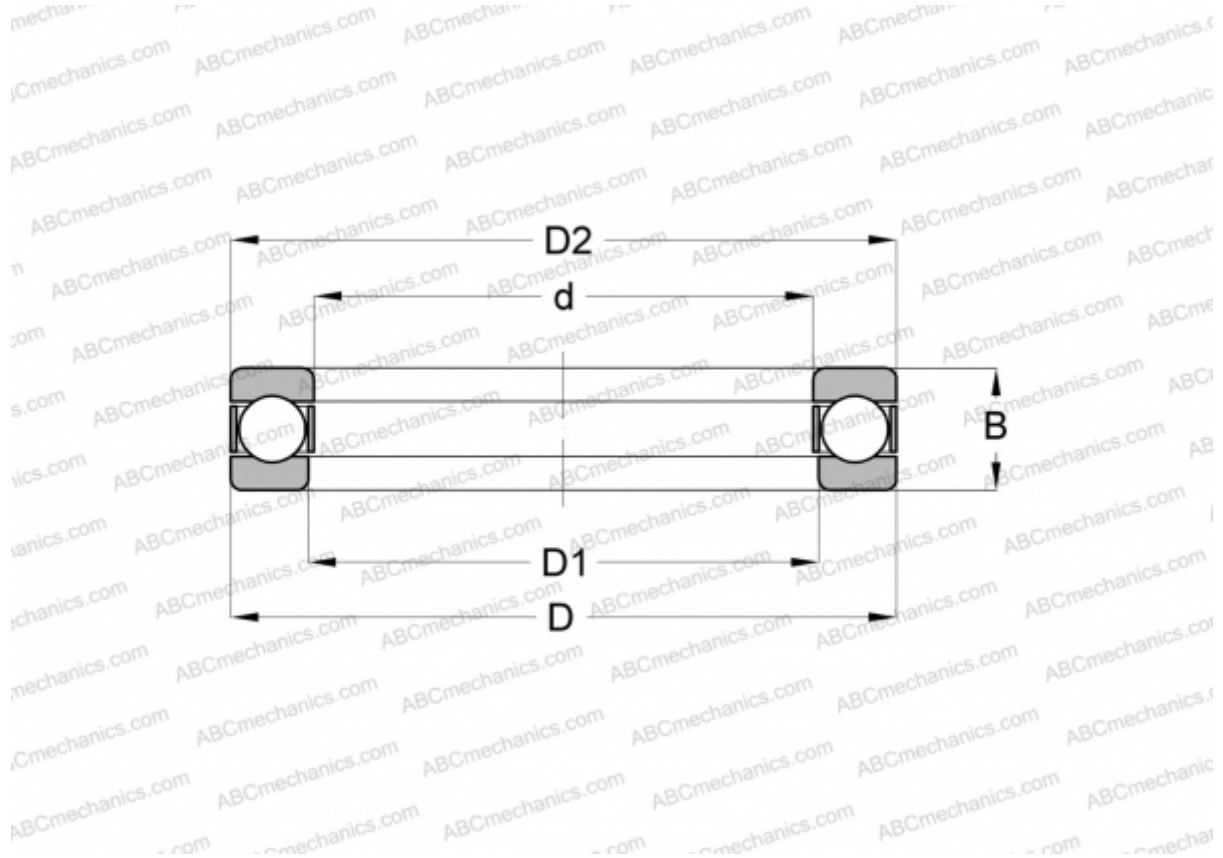


51164 M SKF

Thrust ball bearings

TYPE: Ball bearings, Thrust ball bearing, Single direction, Separable



Technical specification

DIMENSIONS, MM

d	320,000
D	400,000
D1	324,000
D2	396,000
B	63,000

WEIGHT, KG 19,000

MANUFACTURER [SKF](#)

CALCULATION DATA

Basic dynamic load rating, C	371,000 kN
Basic static load rating, Co	1860,000 kN
Fatigue load limit, Pu	36,500 kN
Reference speed	18 r/min
Limiting speed	800 r/min

CALCULATION DATA

Attainable speed for grease lubrication	1100 r/min
---	------------