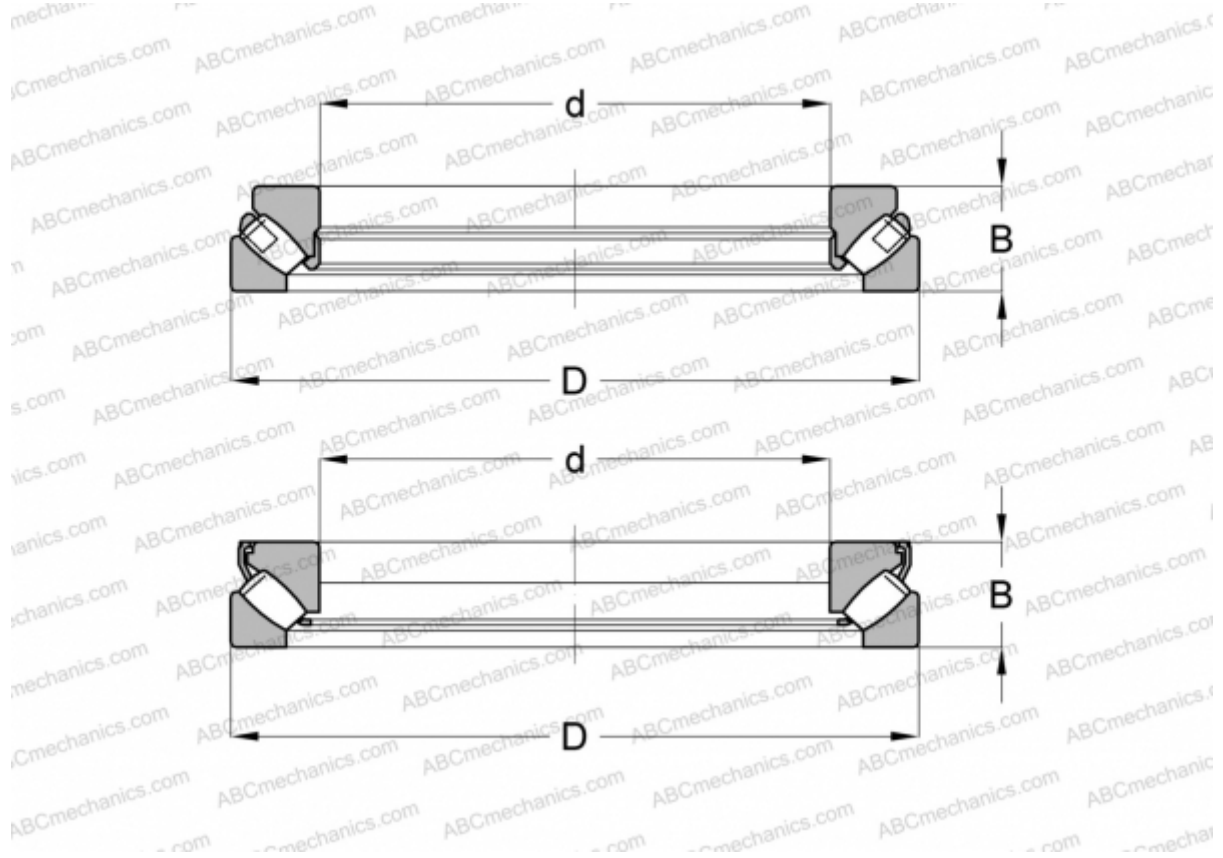


29417 E SKF

Spherical roller thrust bearings

TYPE: Roller bearings, Thrust roller bearing, Axial spherical



Technical specification

DIMENSIONS, MM

d	85,000
D	180,000
B	58,000

CALCULATION DATA

Limiting speed	3600 r/min
----------------	------------

WEIGHT, KG 6,750

MANUFACTURER [SKF](#)

INTERCHANGE

ABC	29417E
FAG	29417 E

CALCULATION DATA

Basic dynamic load rating, C	735,000 kN
Basic static load rating, Co	1800,000 kN
Fatigue load limit, Pu	212,000 kN
Reference speed	2000 r/min