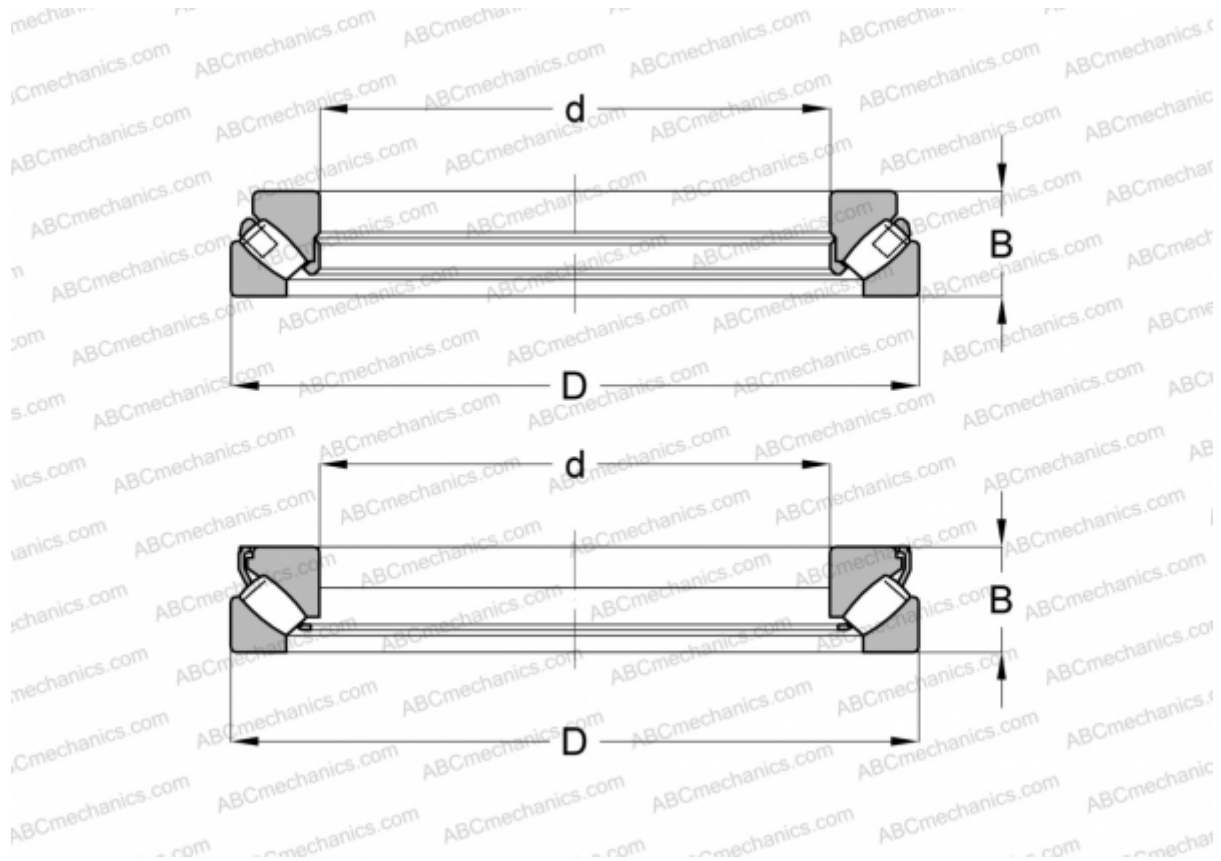


## 29320 E FAG

Spherical roller thrust bearings

TYPE: Roller bearings, Thrust roller bearing, Axial spherical



### Technical specification

#### DIMENSIONS, MM

d	100,000
D	170,000
B	42,000

**WEIGHT, KG** 3,402

**MANUFACTURER** [FAG](#)

#### INTERCHANGE

ABC	<a href="#">29320E</a>
SKF	<a href="#">29320 E</a>