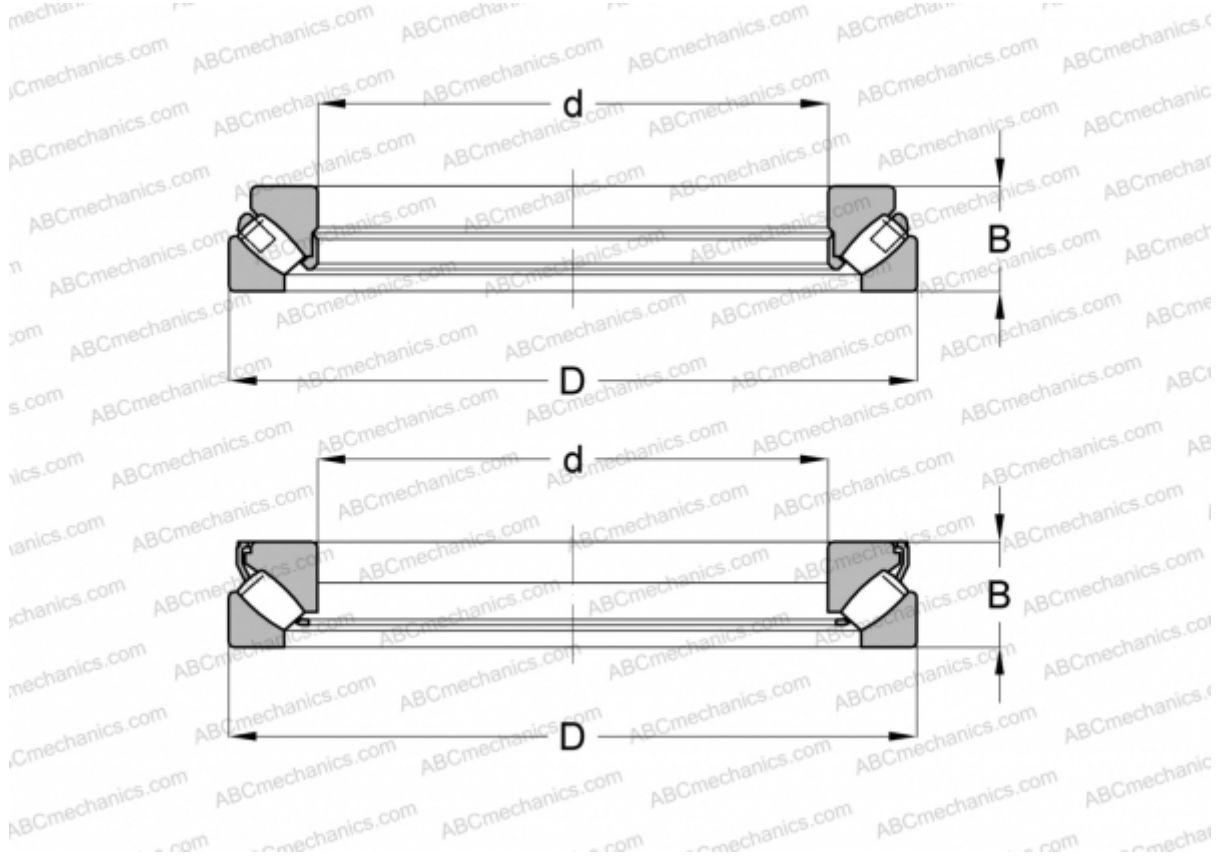


29420 E SKF

Spherical roller thrust bearings

TYPE: Roller bearings, Thrust roller bearing, Axial spherical



Technical specification

DIMENSIONS, MM

d	100,000
D	210,000
B	67,000

WEIGHT, KG 10,500

MANUFACTURER [SKF](#)

INTERCHANGE

ABC	29420E
FAG	29420 E

CALCULATION DATA

Basic dynamic load rating, C	980,000 kN
Basic static load rating, Co	2500,000 kN
Fatigue load limit, Pu	275,000 kN
Reference speed	1700 r/min

CALCULATION DATA

Limiting speed	3000 r/min
----------------	------------