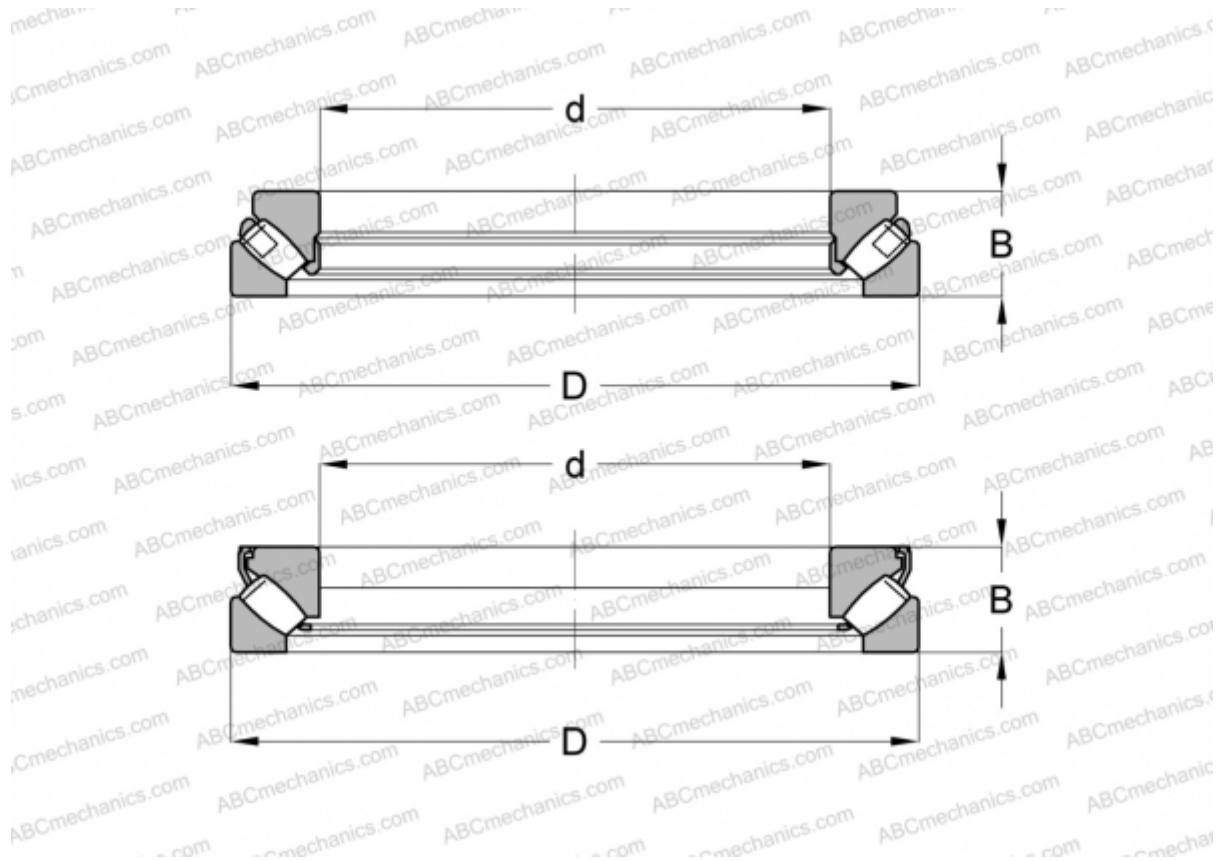


## 29422E ABC

Spherical roller thrust bearings

TYPE: Roller bearings, Thrust roller bearing, Axial spherical



### Technical specification

#### DIMENSIONS, MM

d	110,000
D	230,000
B	73,000

**WEIGHT, KG** 12,837

**MANUFACTURER** [ABC](#)

#### INTERCHANGE

FAG	<a href="#">29422 E</a>
SKF	<a href="#">29422 E</a>
TORRINGTON	<a href="#">29422</a>