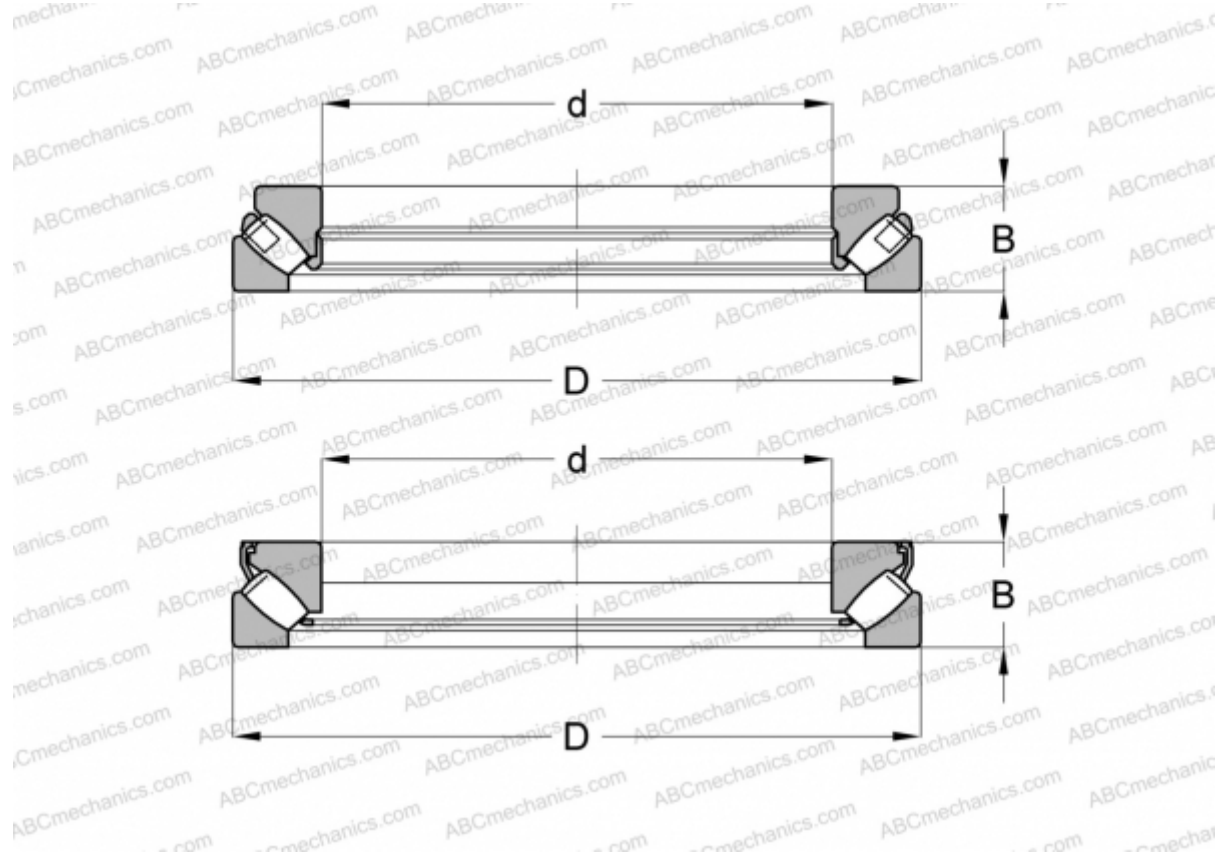


29422 E SKF

Spherical roller thrust bearings

TYPE: Roller bearings, Thrust roller bearing, Axial spherical



Technical specification

DIMENSIONS, MM

d	110,000
D	230,000
B	73,000

WEIGHT, KG 13,500

MANUFACTURER [SKF](#)

INTERCHANGE

ABC	29422E
FAG	29422 E
TORRINGTON	29422

CALCULATION DATA

Basic dynamic load rating, C	1180,000 kN
Basic static load rating, Co	3000,000 kN
Fatigue load limit, Pu	325,000 kN

CALCULATION DATA

Reference speed	1600 r/min
Limiting speed	2800 r/min