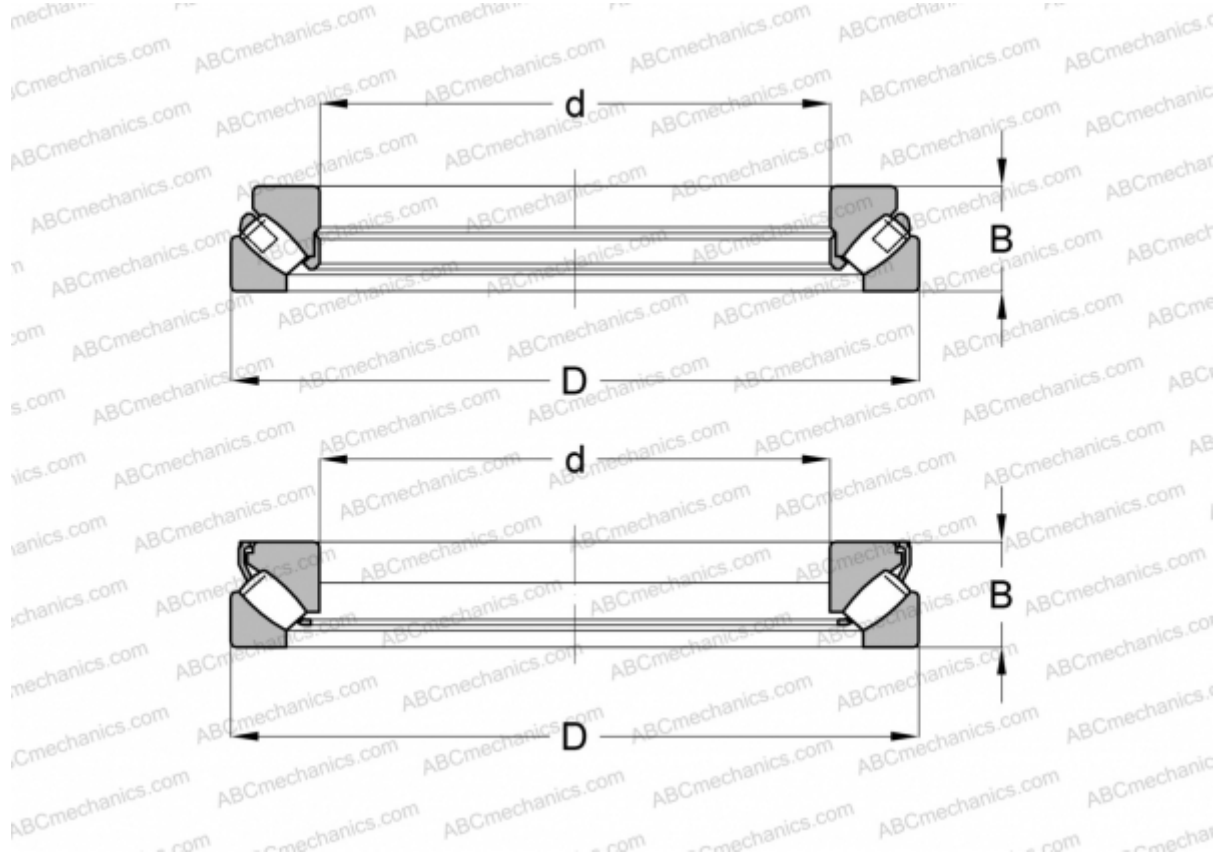


29428E ABC

Spherical roller thrust bearings

TYPE: Roller bearings, Thrust roller bearing, Axial spherical



Technical specification

DIMENSIONS, MM

d	140,000
D	280,000
B	85,000

WEIGHT, KG 25,991

MANUFACTURER [ABC](#)

INTERCHANGE

FAG	29428 E
SKF	29428 E