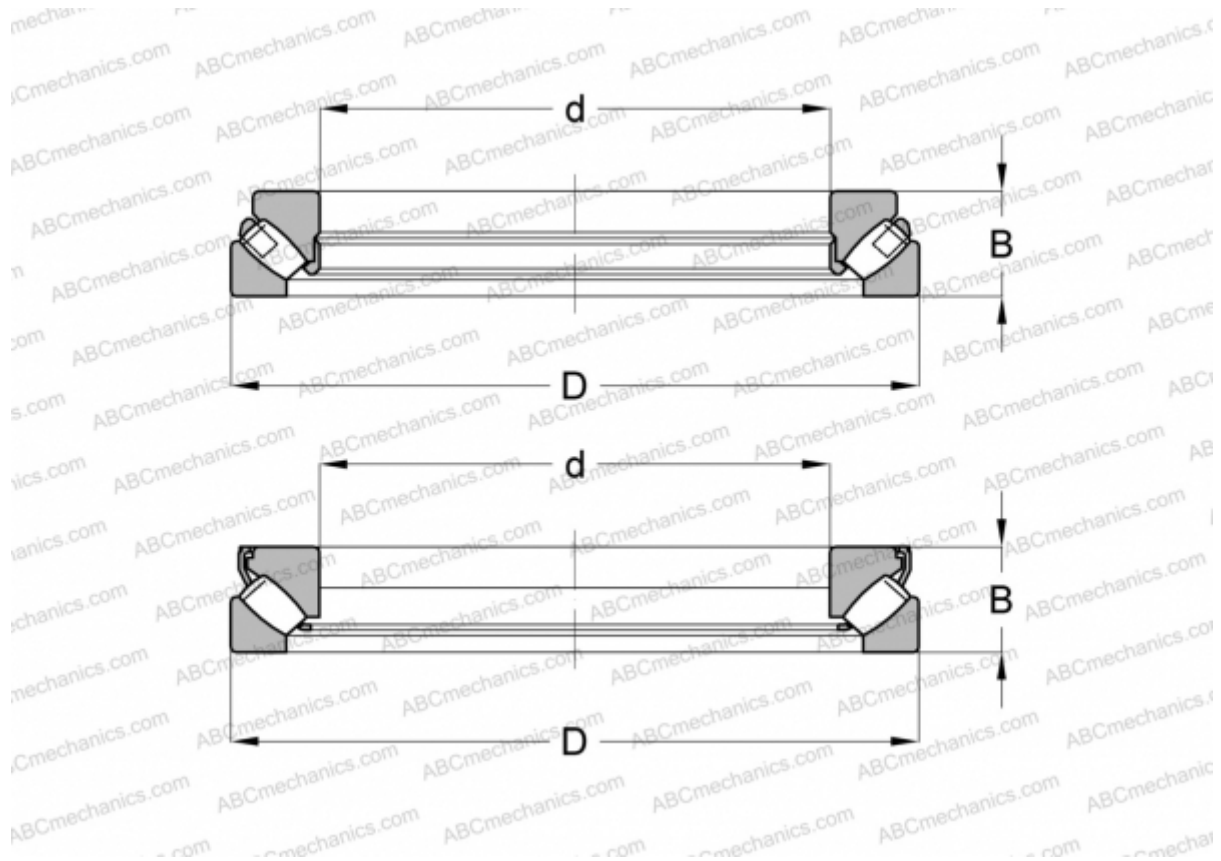


29428 E FAG

Spherical roller thrust bearings

TYPE: Roller bearings, Thrust roller bearing, Axial spherical



Technical specification

DIMENSIONS, MM

d	140,000
D	280,000
B	85,000

WEIGHT, KG 25,991

MANUFACTURER [FAG](#)

INTERCHANGE

ABC	29428E
SKF	29428 E