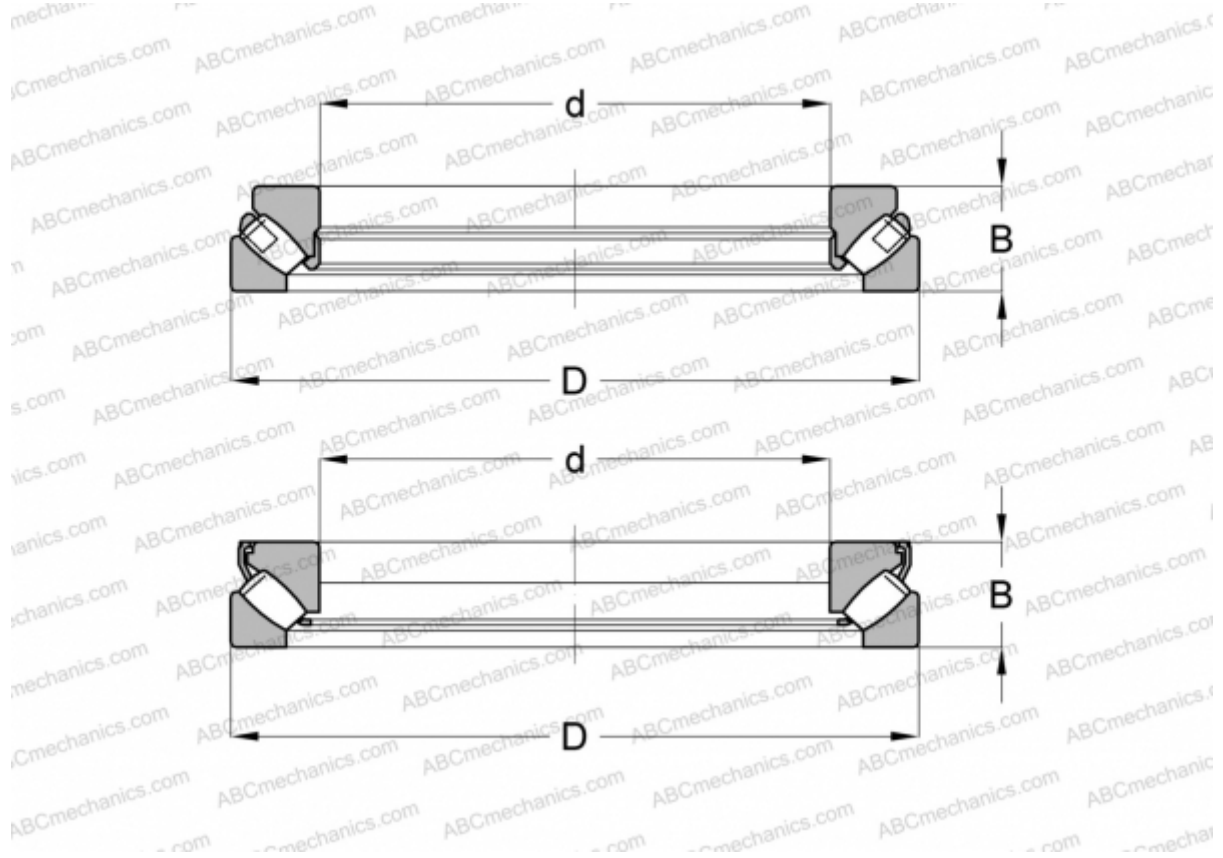


29230 E SKF

Spherical roller thrust bearings

TYPE: Roller bearings, Thrust roller bearing, Axial spherical



Technical specification

DIMENSIONS, MM

d	150,000
D	215,000
B	39,000

WEIGHT, KG 4,300

MANUFACTURER [SKF](#)

INTERCHANGE

ABC	29230
-----	-----------------------

CALCULATION DATA

Basic dynamic load rating, C	408,000 kN
Basic static load rating, Co	1600,000 kN
Fatigue load limit, Pu	180,000 kN
Reference speed	1800 r/min
Limiting speed	2800 r/min