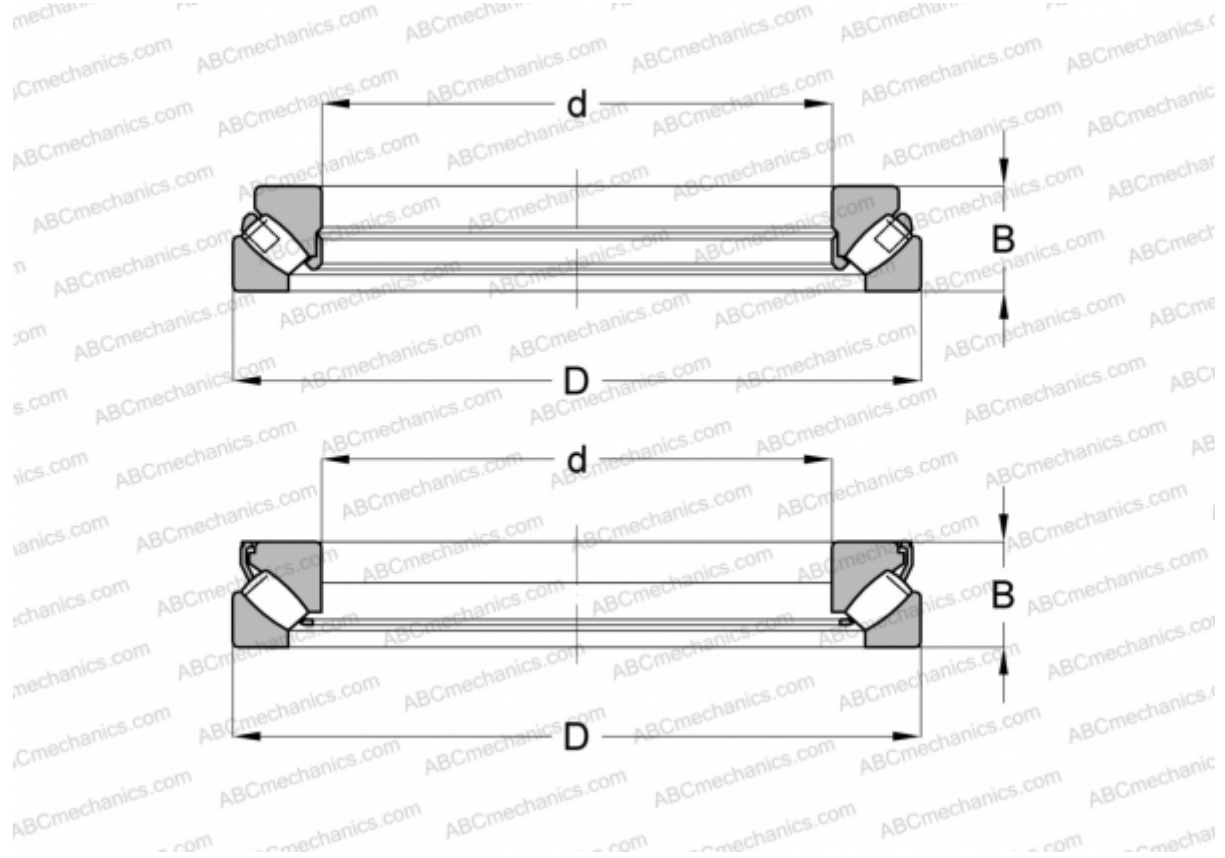


## 29430 E SKF

Spherical roller thrust bearings

TYPE: Roller bearings, Thrust roller bearing, Axial spherical



### Technical specification

#### DIMENSIONS, MM

$d$	150,000
$D$	300,000
$B$	90,000

**WEIGHT, KG** 28,000

**MANUFACTURER** [SKF](#)

#### INTERCHANGE

ABC	<a href="#">29430E</a>
FAG	<a href="#">29430 E</a>
TORRINGTON	<a href="#">29430</a>

#### CALCULATION DATA

Basic dynamic load rating, C	1860,000 kN
Basic static load rating, $C_0$	5100,000 kN
Fatigue load limit, $P_u$	520,000 kN

#### CALCULATION DATA

Reference speed	1200 r/min
Limiting speed	2200 r/min