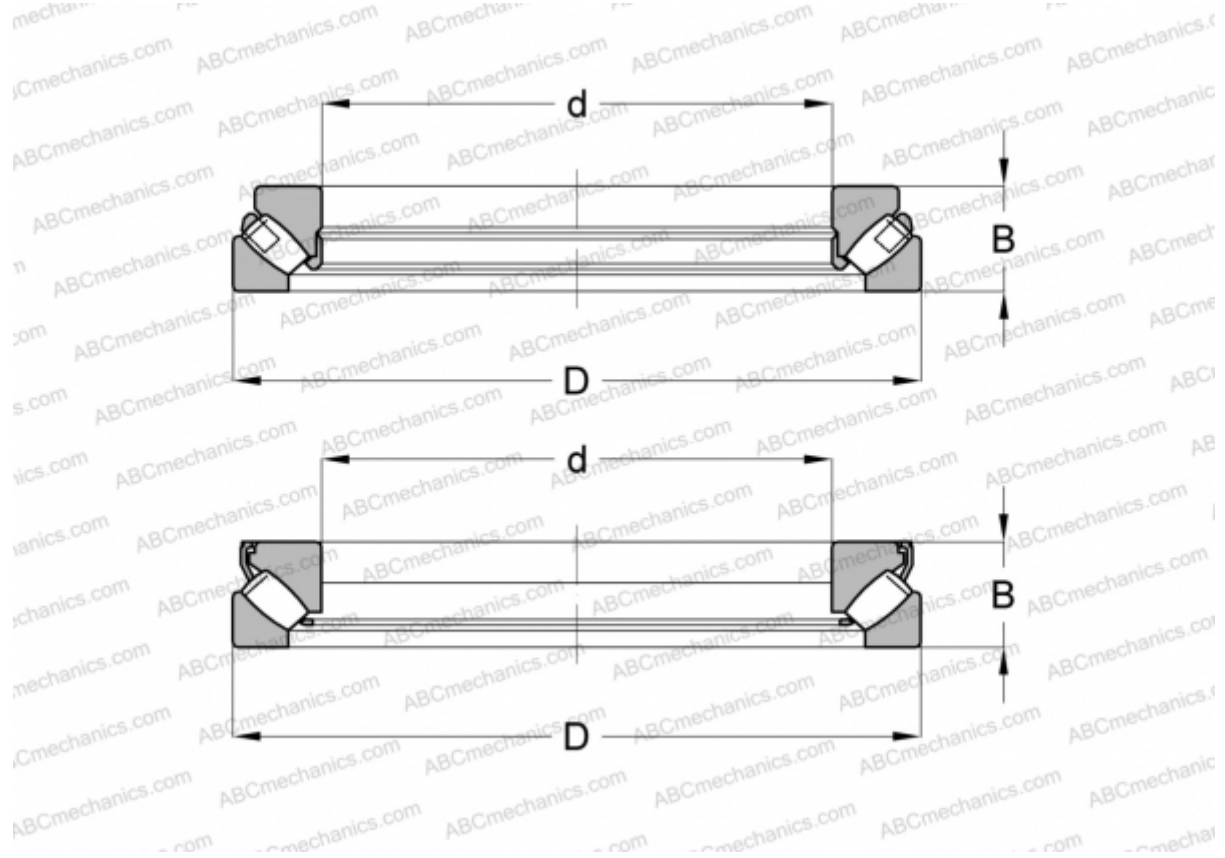


## 29332 E SKF

Spherical roller thrust bearings

TYPE: Roller bearings, Thrust roller bearing, Axial spherical



### Technical specification

#### DIMENSIONS, MM

d	160,000
D	270,000
B	67,000

**WEIGHT, KG** 14,500

**MANUFACTURER** [SKF](#)

#### INTERCHANGE

ABC	<a href="#">29332E</a>
FAG	<a href="#">29332 E</a>

#### CALCULATION DATA

Basic dynamic load rating, C	1180,000 kN
Basic static load rating, Co	3450,000 kN
Fatigue load limit, Pu	375,000 kN
Reference speed	1300 r/min

#### CALCULATION DATA

Limiting speed	2200 r/min
----------------	------------