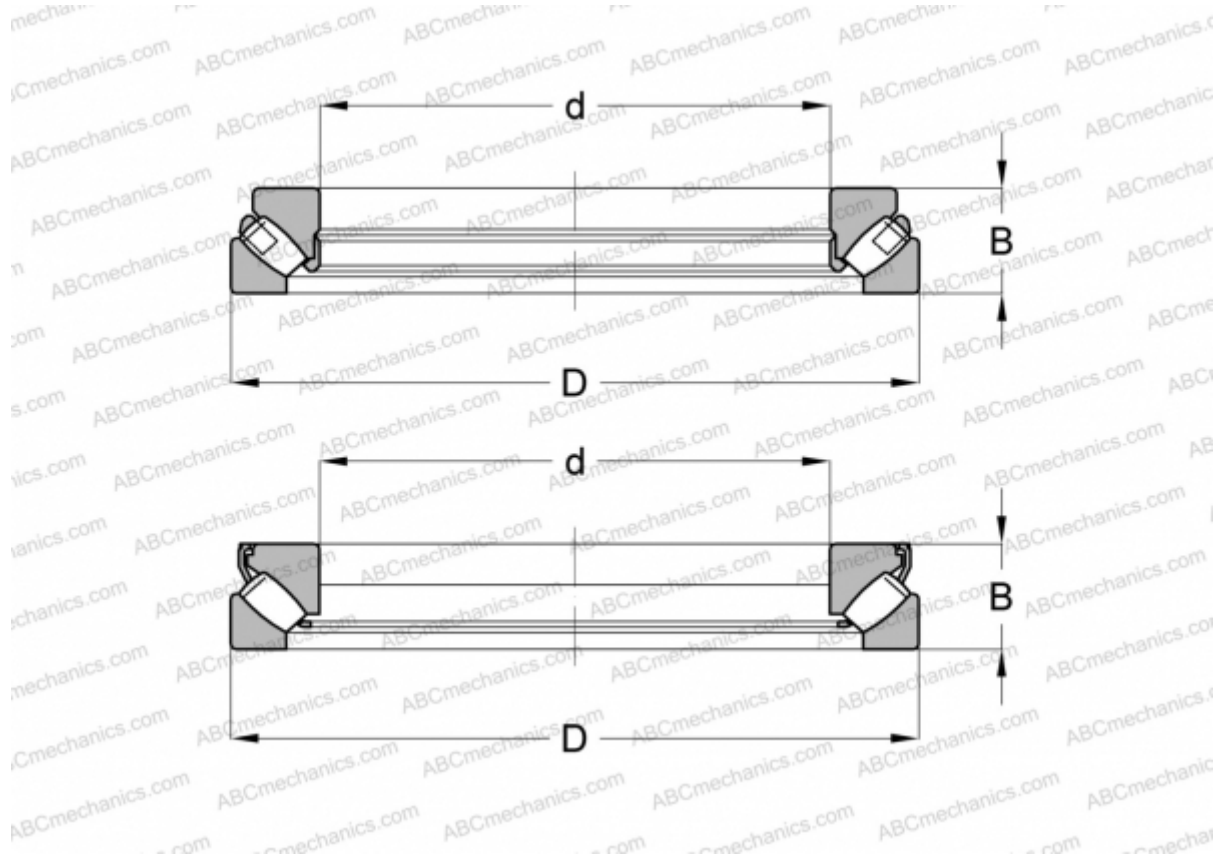


29234 ABC

Spherical roller thrust bearings

TYPE: Roller bearings, Thrust roller bearing, Axial spherical



Technical specification

DIMENSIONS, MM

d	170,000
D	240,000
B	42,000

WEIGHT, KG 5,806

MANUFACTURER [ABC](#)