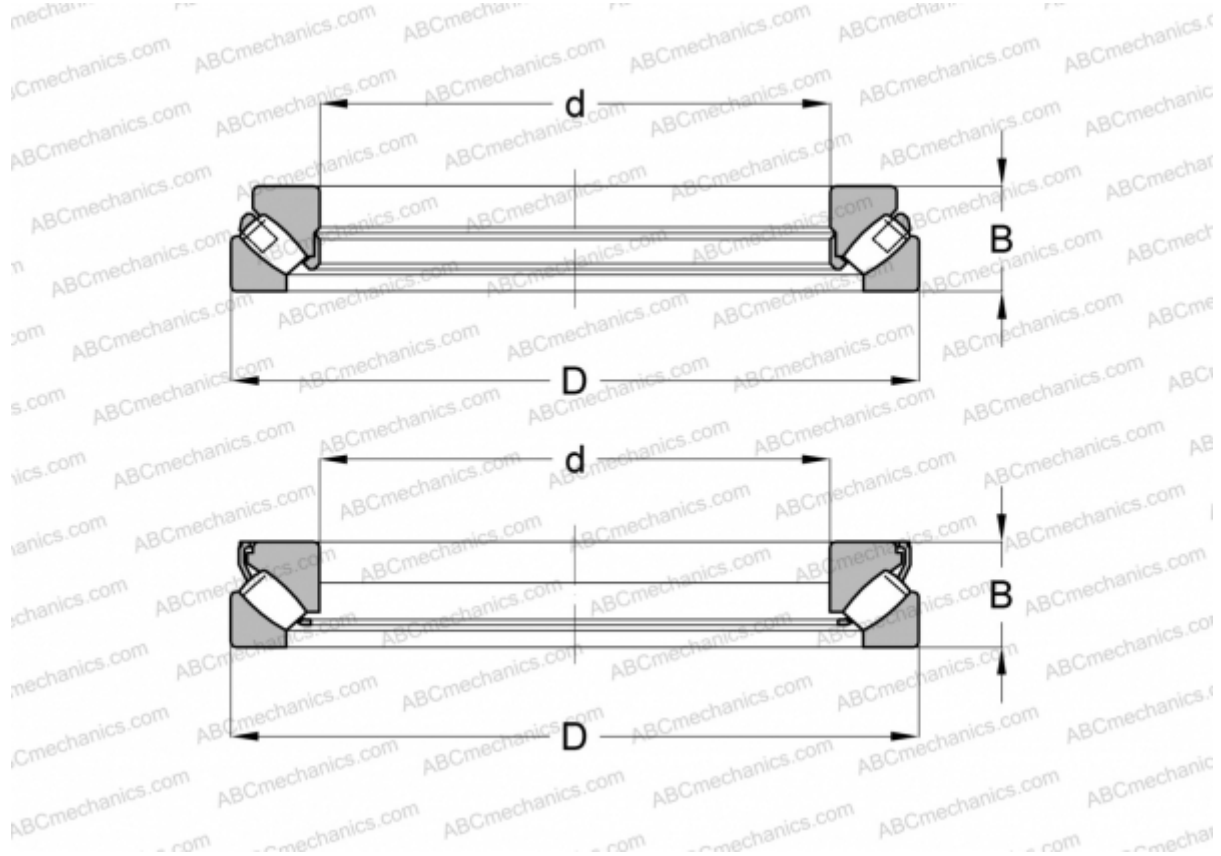


## 29334 TORRINGTON

Spherical roller thrust bearings

TYPE: Roller bearings, Thrust roller bearing, Axial spherical



### Technical specification

#### DIMENSIONS, MM

d	170,000
D	280,000
B	67,000

**WEIGHT, KG** 16,602

**MANUFACTURER** [TORRINGTON](#)

#### INTERCHANGE

ABC	<a href="#">29334E</a>
FAG	<a href="#">29334 E</a>
SKF	<a href="#">29334 E</a>