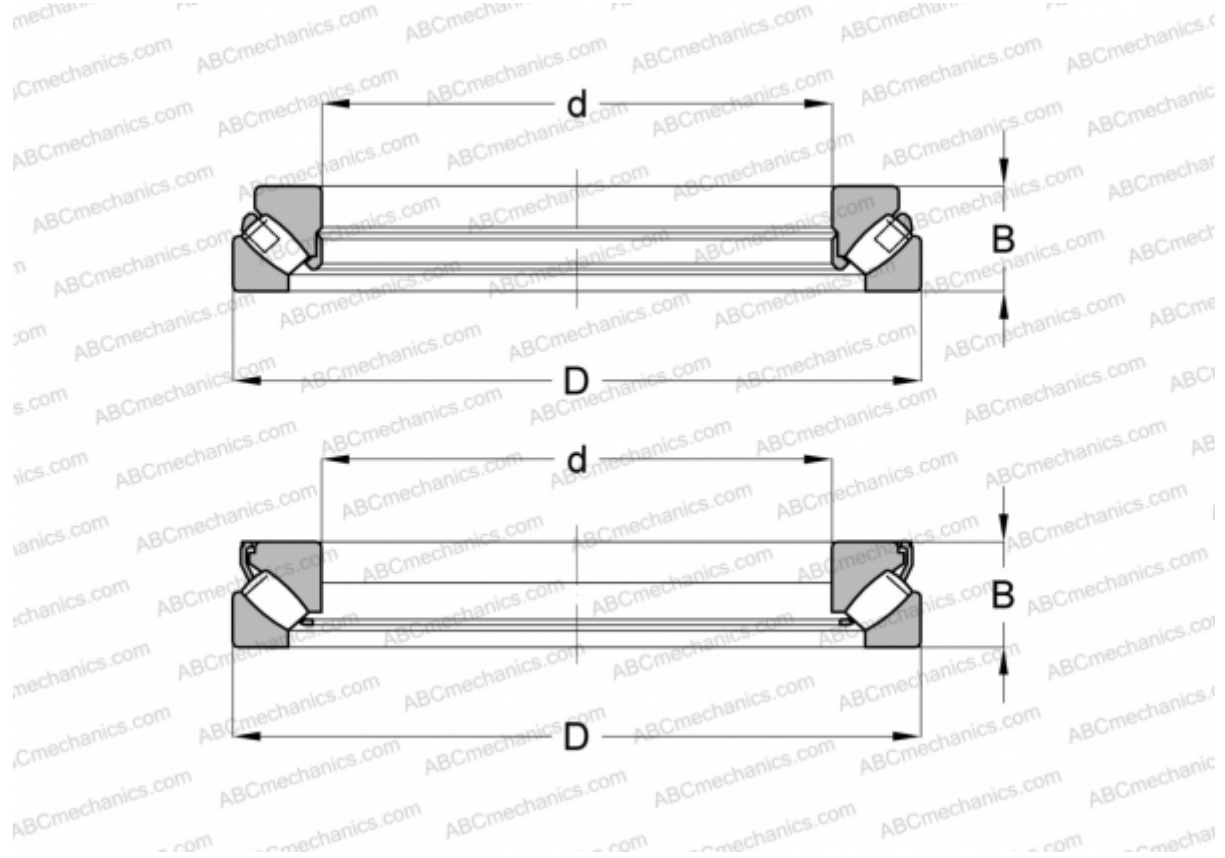


## 29434 E SKF

Spherical roller thrust bearings

TYPE: Roller bearings, Thrust roller bearing, Axial spherical



### Technical specification

#### DIMENSIONS, MM

d	170,000
D	340,000
B	103,000

**WEIGHT, KG** 44,500

**MANUFACTURER** [SKF](#)

#### INTERCHANGE

ABC	<a href="#">29434E</a>
FAG	<a href="#">29434 E</a>
TORRINGTON	<a href="#">29434</a>

#### CALCULATION DATA

Basic dynamic load rating, C	2360,000 kN
Basic static load rating, Co	6550,000 kN
Fatigue load limit, Pu	640,000 kN

#### CALCULATION DATA

Reference speed	1100 r/min
Limiting speed	1900 r/min