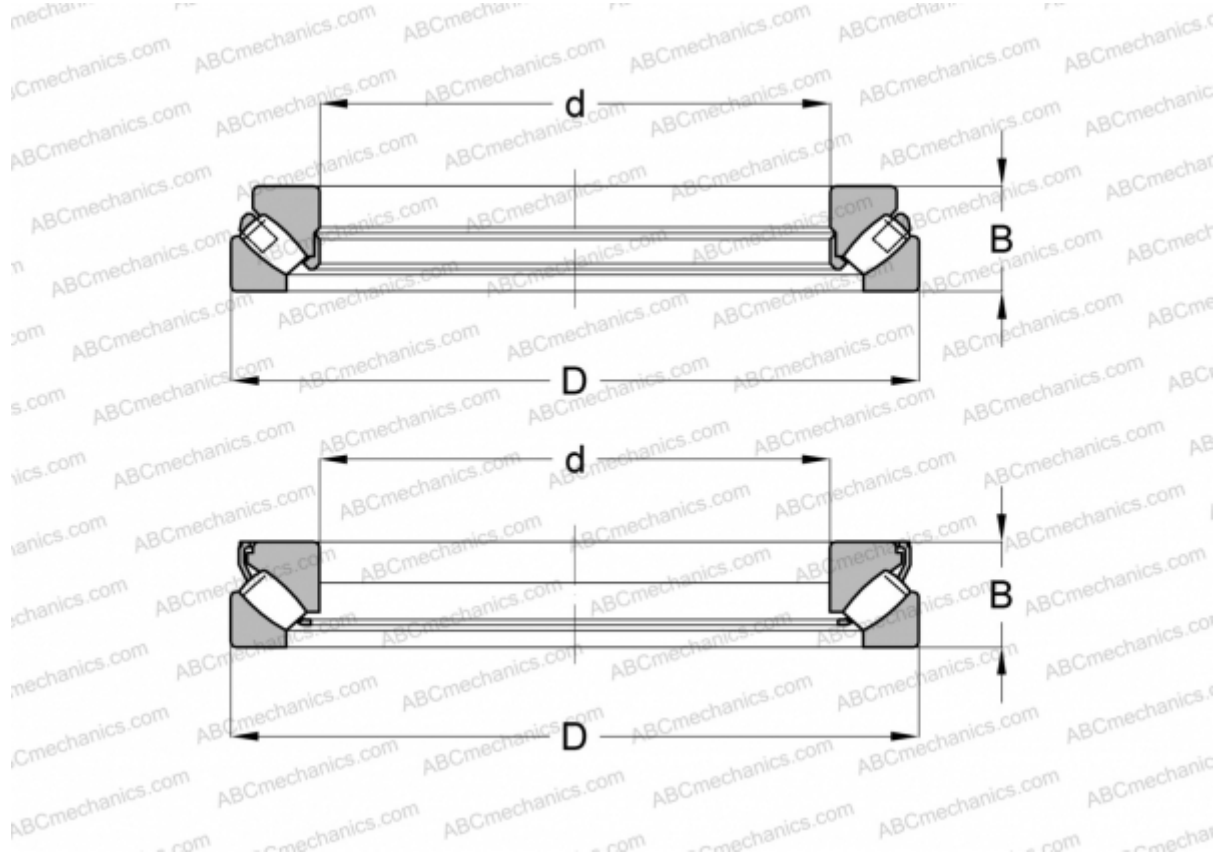


29434 TORRINGTON

Spherical roller thrust bearings

TYPE: Roller bearings, Thrust roller bearing, Axial spherical



Technical specification

DIMENSIONS, MM

d	170,000
D	340,000
B	103,000

WEIGHT, KG 38,555

MANUFACTURER [TORRINGTON](#)

INTERCHANGE

ABC	29434E
FAG	29434 E
SKF	29434 E