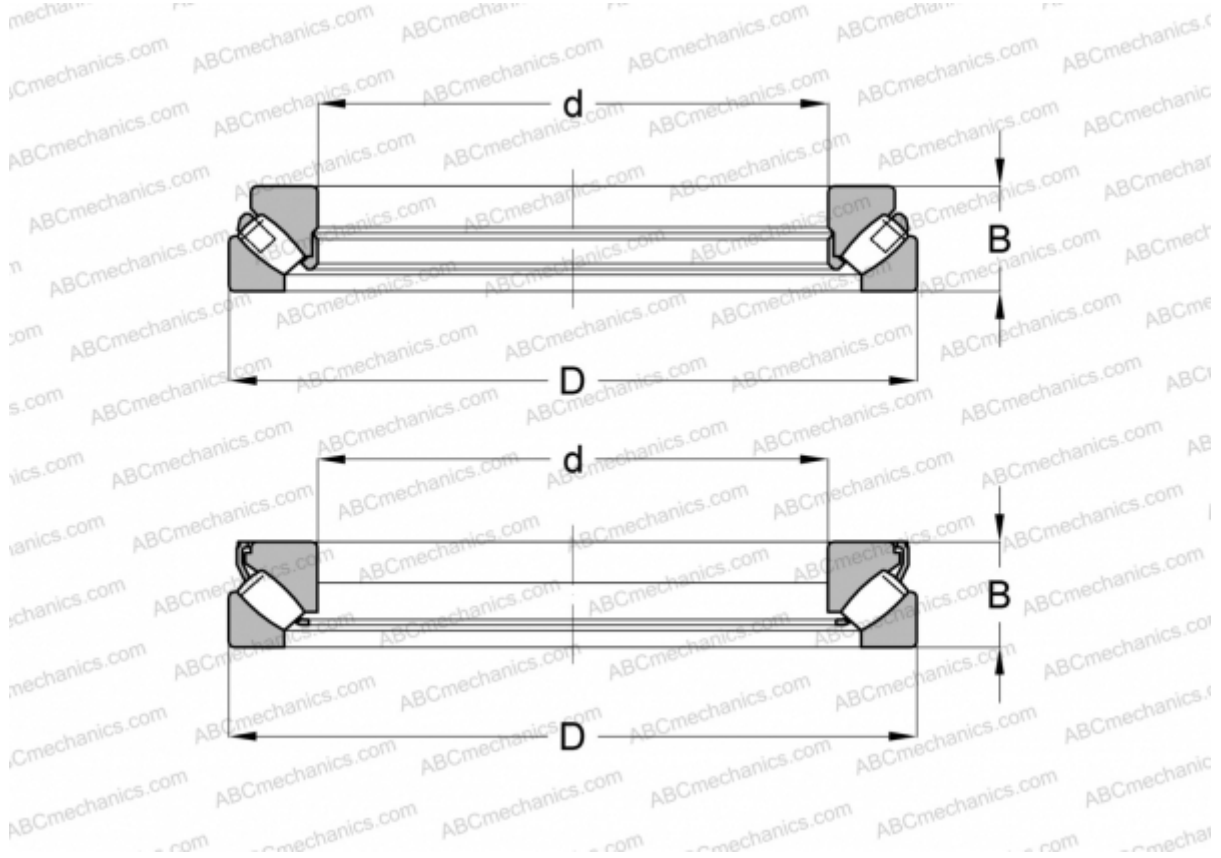


29436 E SKF

Spherical roller thrust bearings

TYPE: Roller bearings, Thrust roller bearing, Axial spherical



Technical specification

DIMENSIONS, MM

d	180,000
D	360,000
B	109,000

WEIGHT, KG 52,500

MANUFACTURER [SKF](#)

INTERCHANGE

ABC	29436E
FAG	29436 E

CALCULATION DATA

Limiting speed	1800 r/min
----------------	------------

CALCULATION DATA

Basic dynamic load rating, C	2600,000 kN
Basic static load rating, Co	7350,000 kN
Fatigue load limit, Pu	710,000 kN
Reference speed	1000 r/min