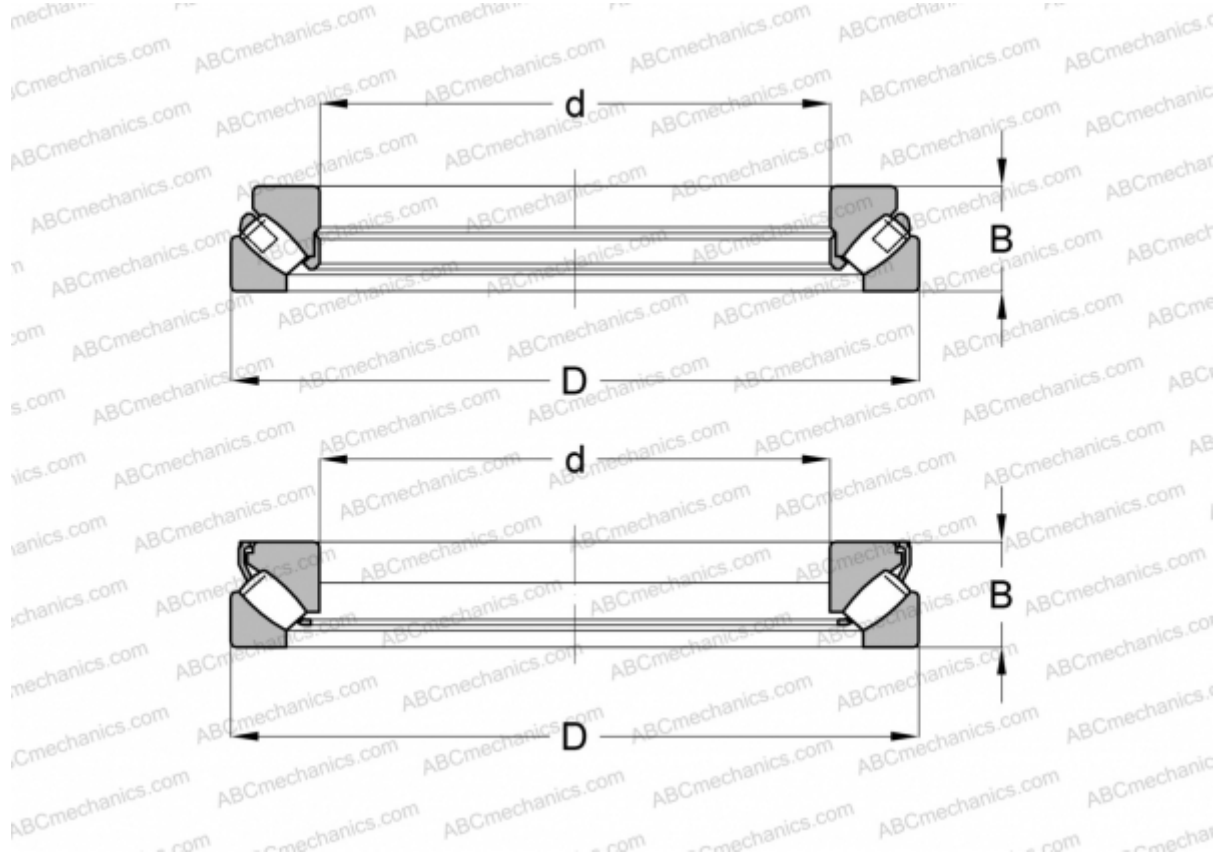


29240 E.MB FAG

Spherical roller thrust bearings

TYPE: Roller bearings, Thrust roller bearing, Axial spherical



Technical specification

DIMENSIONS, MM

d	200,000
D	280,000
B	48,000

WEIGHT, KG 8,664

MANUFACTURER [FAG](#)

INTERCHANGE

ABC	29240E
SKF	29240 E