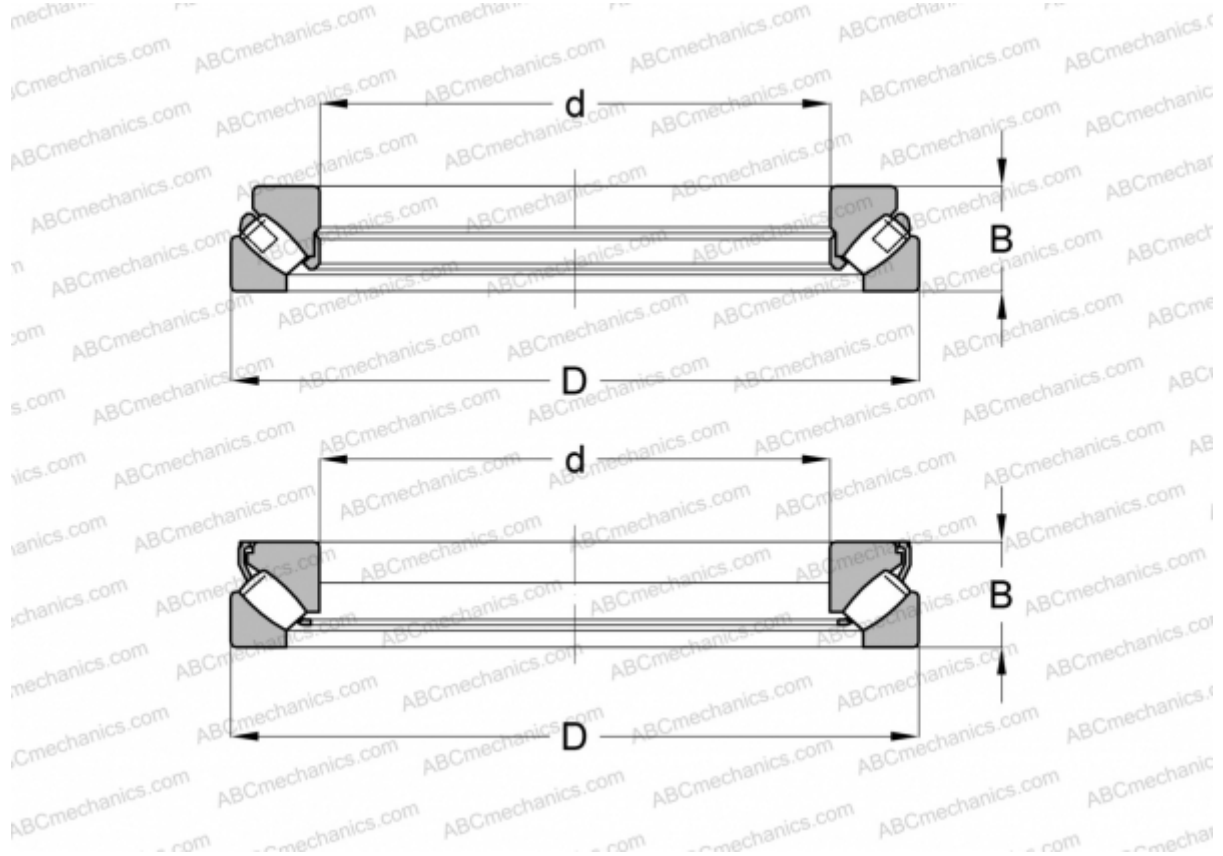


29240 E SKF

Spherical roller thrust bearings

TYPE: Roller bearings, Thrust roller bearing, Axial spherical



Technical specification

DIMENSIONS, MM

d	200,000
D	280,000
B	48,000

WEIGHT, KG 9,300

MANUFACTURER [SKF](#)

INTERCHANGE

ABC	29240E
FAG	29240 E.MB

CALCULATION DATA

Basic dynamic load rating, C	656,000 kN
Basic static load rating, Co	2650,000 kN
Fatigue load limit, Pu	285,000 kN
Reference speed	1400 r/min

CALCULATION DATA

Limiting speed	2200 r/min
----------------	------------