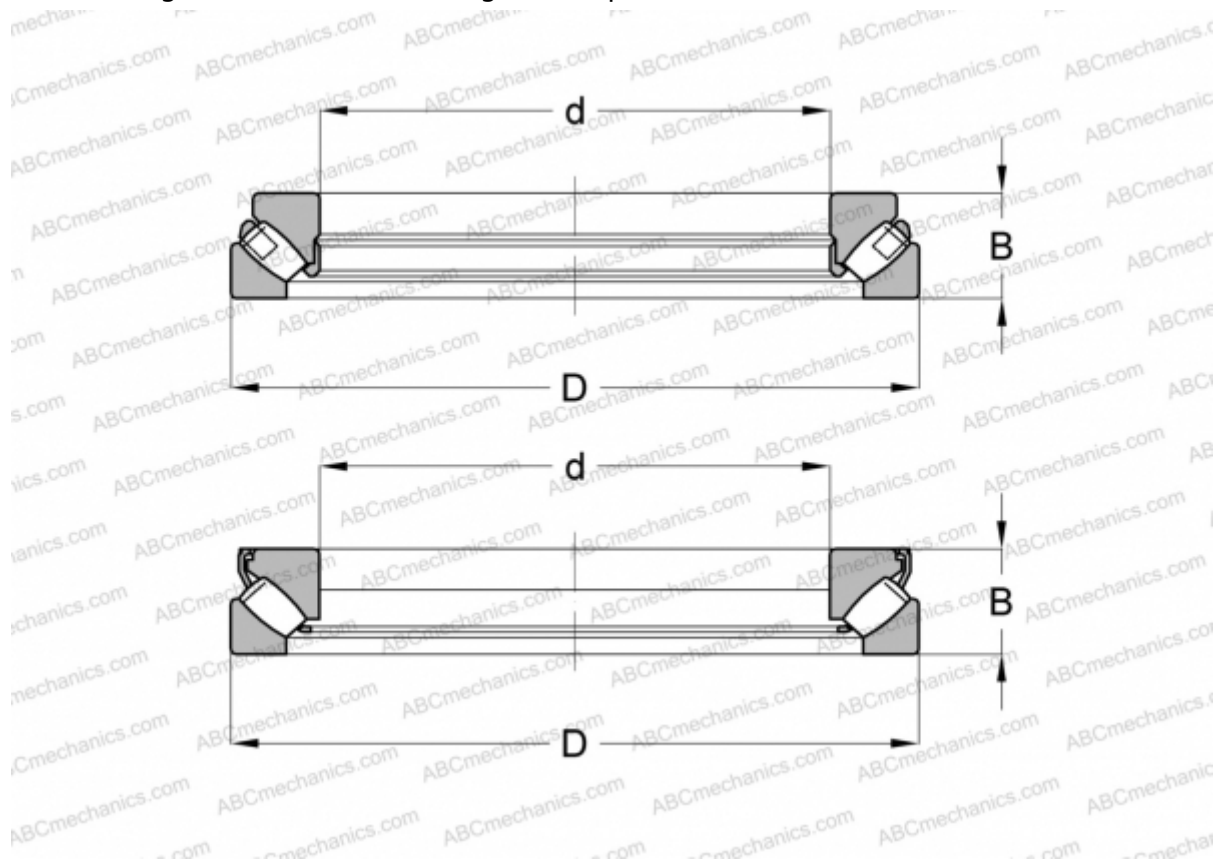


29440 TORRINGTON

Spherical roller thrust bearings

TYPE: Roller bearings, Thrust roller bearing, Axial spherical



Technical specification

DIMENSIONS, MM

| | |
|---|---------|
| d | 200,000 |
| D | 400,000 |
| B | 122,000 |

WEIGHT, KG 63,049

MANUFACTURER [TORRINGTON](#)

INTERCHANGE

| | |
|-----|-------------------------|
| ABC | 29440E |
| FAG | 29440 E |
| SKF | 29440 E |