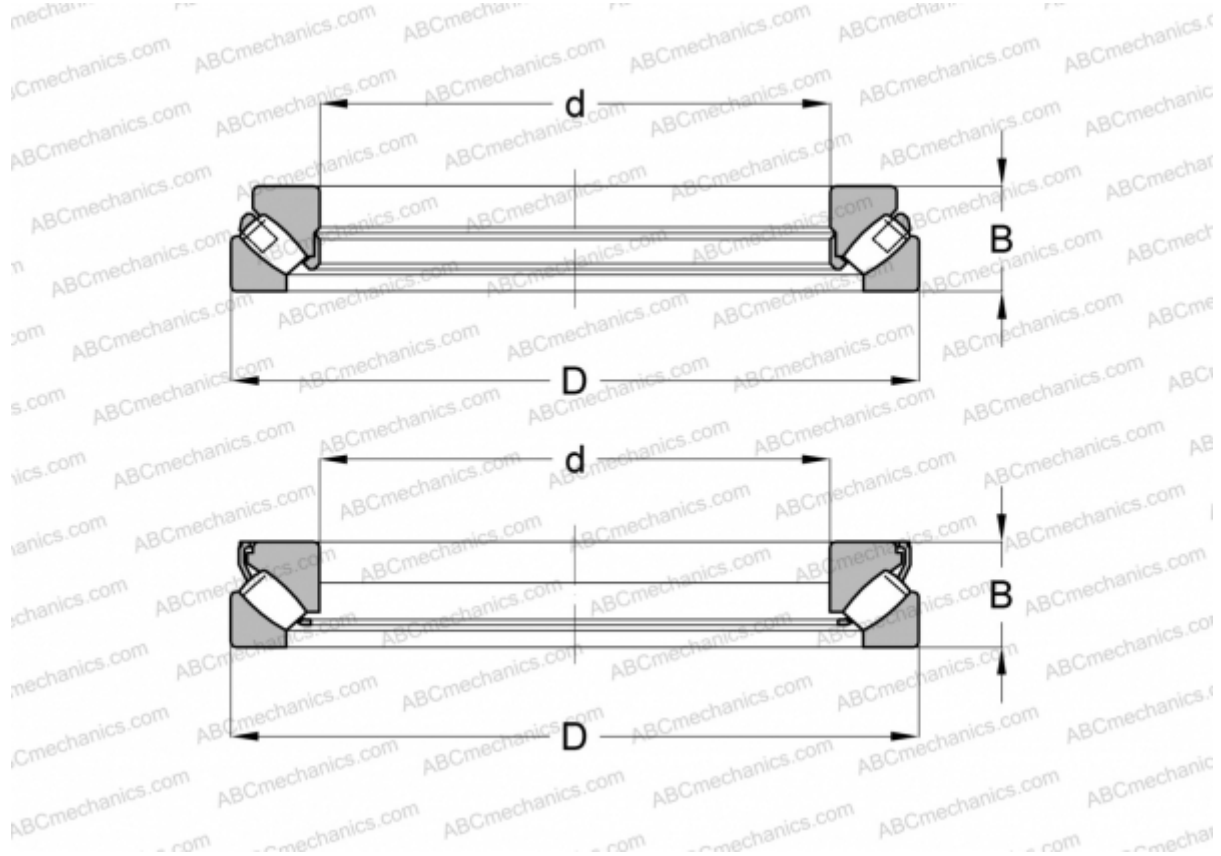


29444 E.MB FAG

Spherical roller thrust bearings

TYPE: Roller bearings, Thrust roller bearing, Axial spherical



Technical specification

DIMENSIONS, MM

d	220,000
D	420,000
B	122,000

WEIGHT, KG 69,853

MANUFACTURER [FAG](#)

INTERCHANGE

ABC	29444E M
SKF	29444 E
TORRINGTON	29444