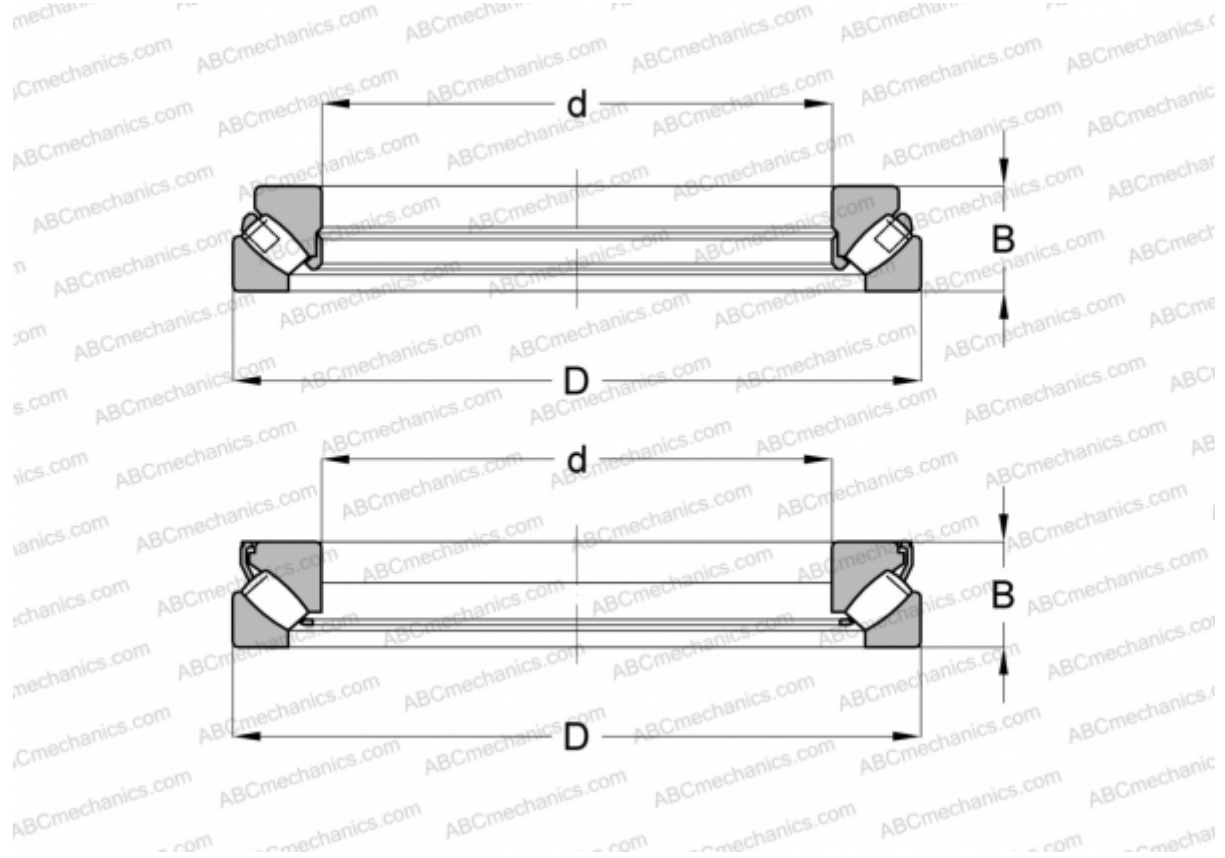


29460 E SKF

Spherical roller thrust bearings

TYPE: Roller bearings, Thrust roller bearing, Axial spherical



Technical specification

DIMENSIONS, MM

d	300,000
D	540,000
B	145,000

WEIGHT, KG 140,000

MANUFACTURER [SKF](#)

INTERCHANGE

ABC	29460E M
FAG	29460 E.MB
TORRINGTON	29460

CALCULATION DATA

Basic dynamic load rating, C	4310,000 kN
Basic static load rating, Co	16600,000 kN
Fatigue load limit, Pu	1340,000 kN

CALCULATION DATA

Reference speed	600 r/min
Limiting speed	1200 r/min