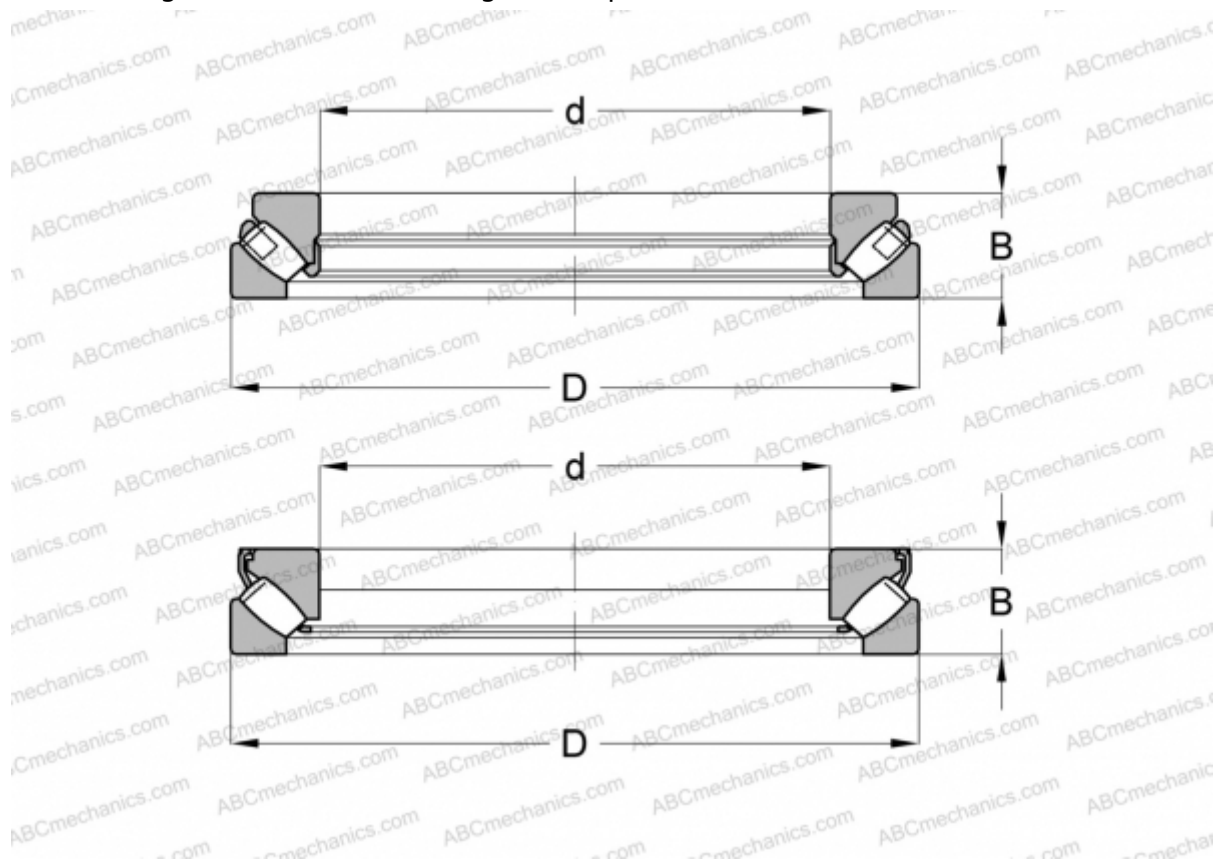


29264 E.MB FAG

Spherical roller thrust bearings

TYPE: Roller bearings, Thrust roller bearing, Axial spherical



Technical specification

DIMENSIONS, MM

d	320,000
D	440,000
B	73,000

WEIGHT, KG 30,028

MANUFACTURER [FAG](#)

INTERCHANGE

ABC	29264E M
SKF	29264